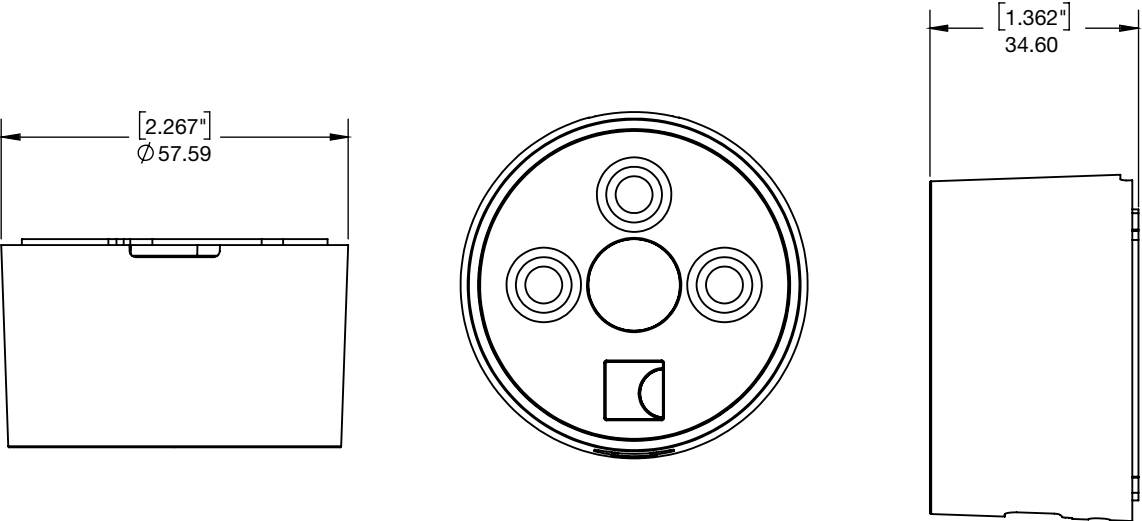
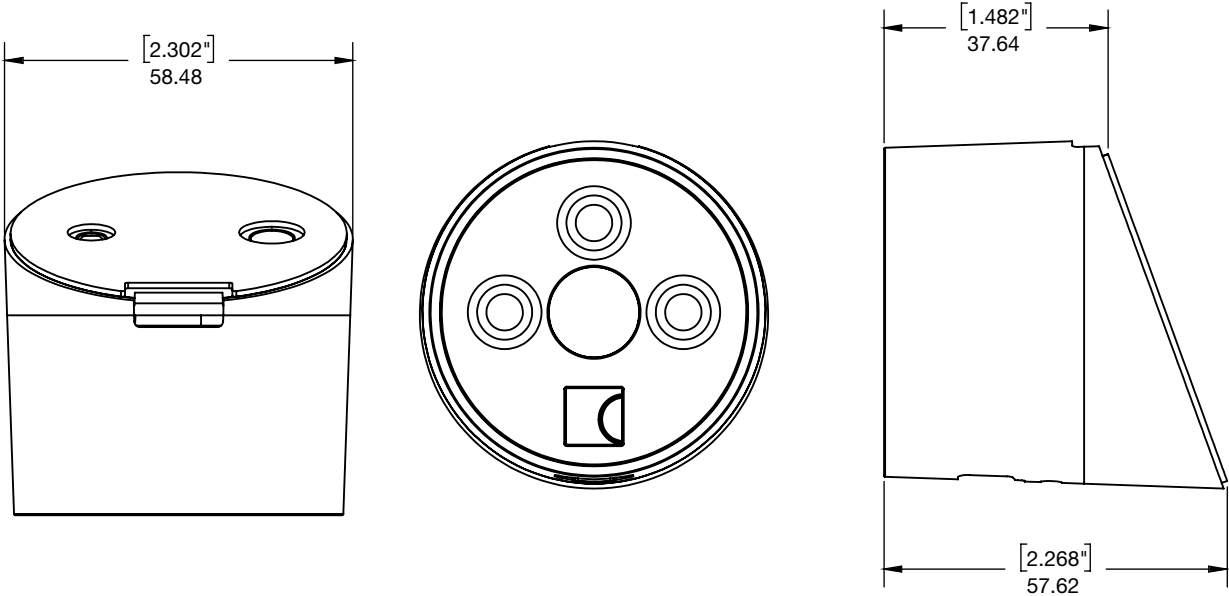


## SPECIFICATIONS

MAGNETIC SHROUD WITH FLAT BASE (ZE1000):

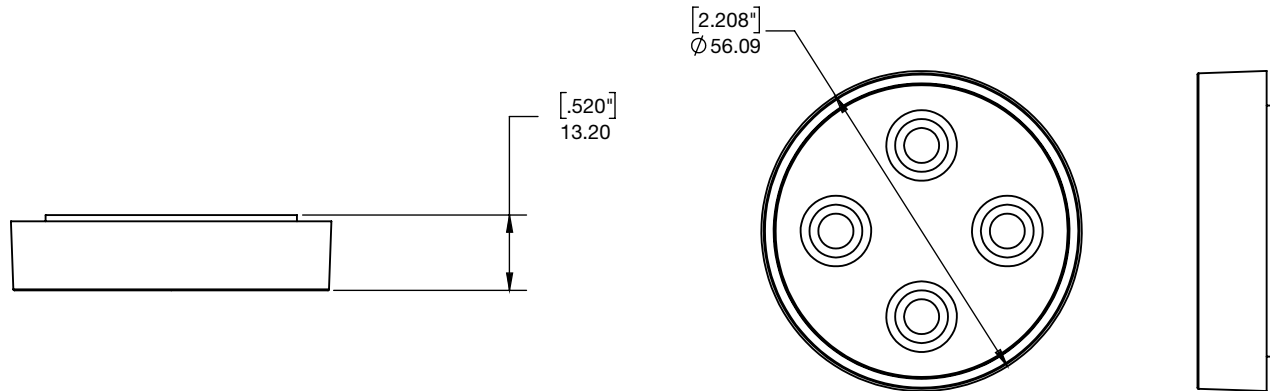


MAGNETIC SHROUD WITH ANGLED BASE (ZE1001):

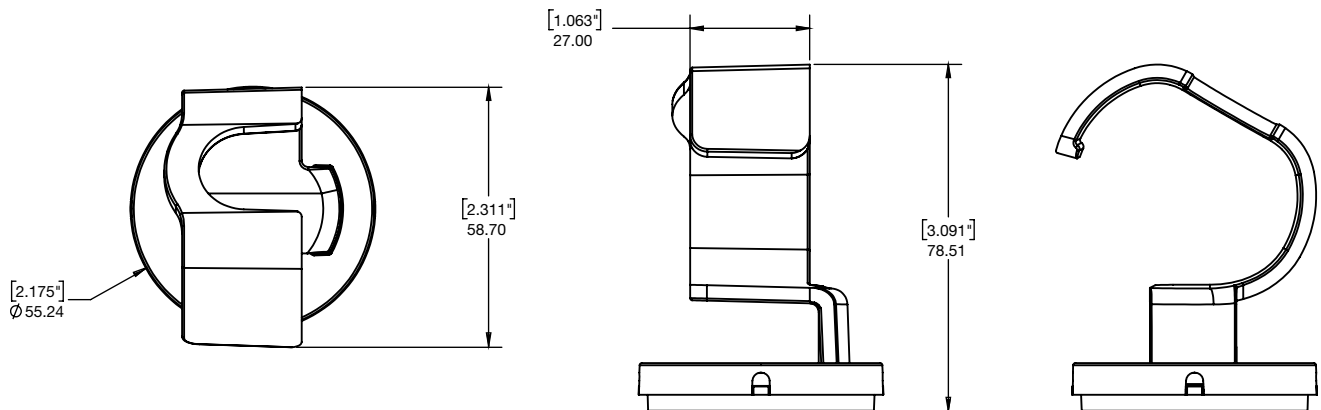


## SPECIFICATIONS

MAGNETIC SHORT STAND (ZE1002):

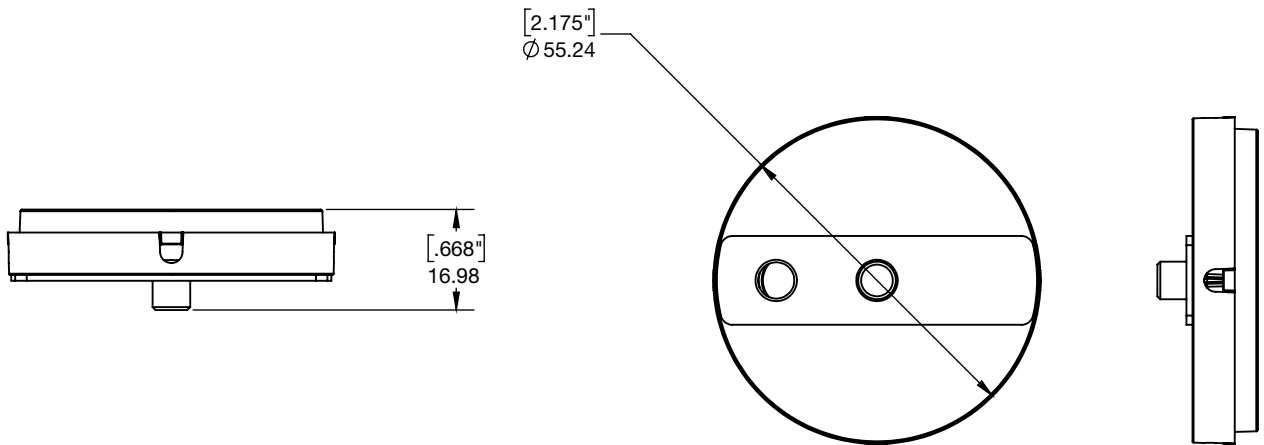


WEARABLE STAND (ZE1003):

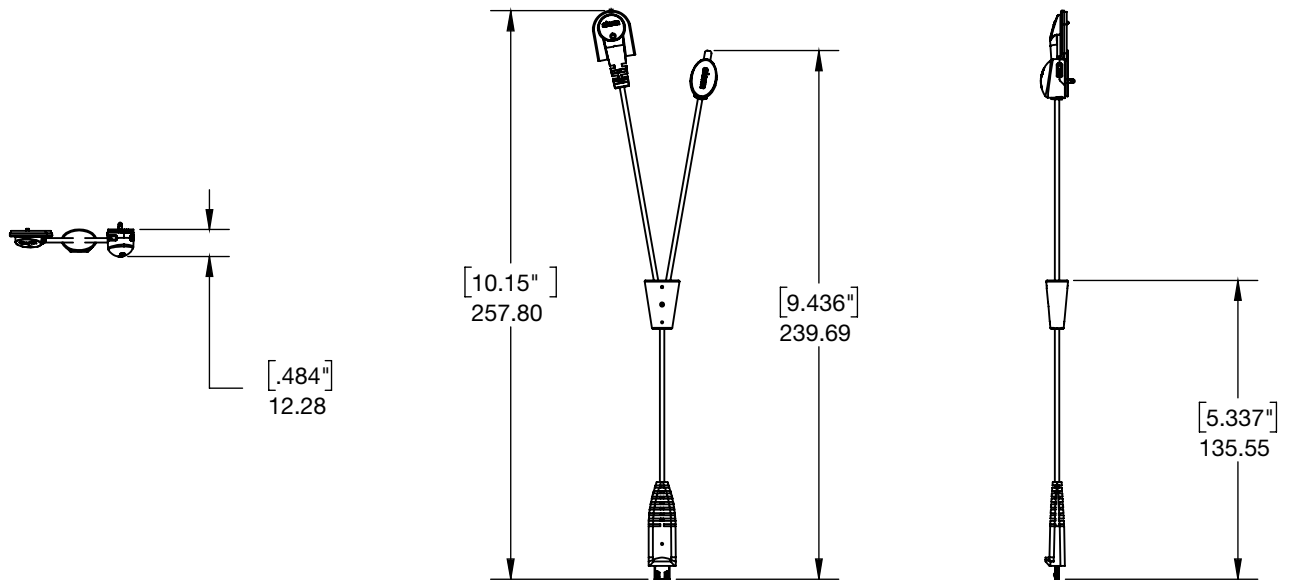


## SPECIFICATIONS

CAMERA PUCK (ZE1004):

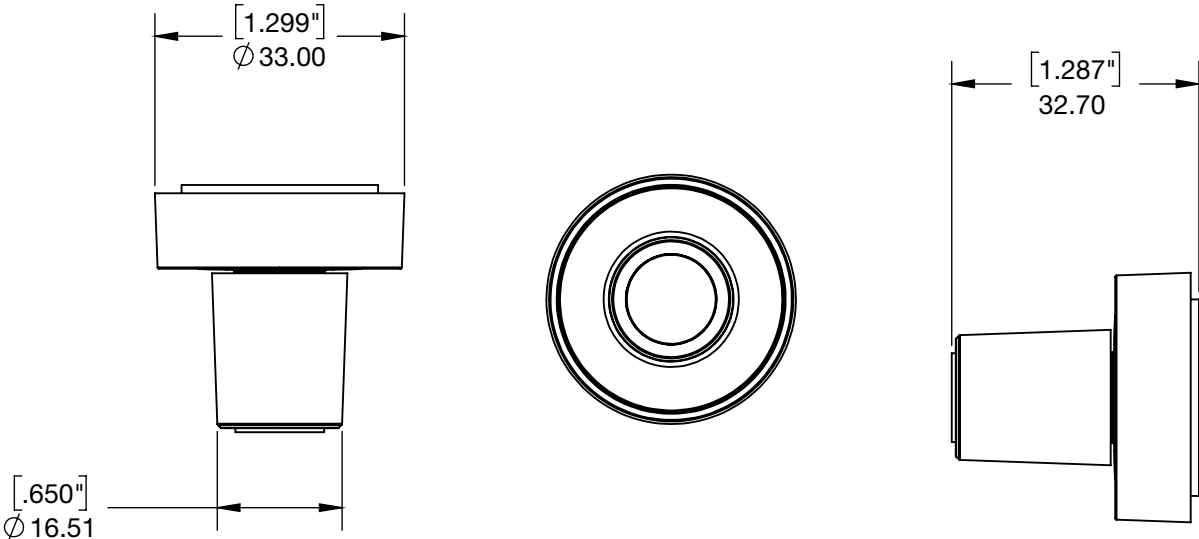


DUAL MINI-MICRO SENSOR (ZE1005):

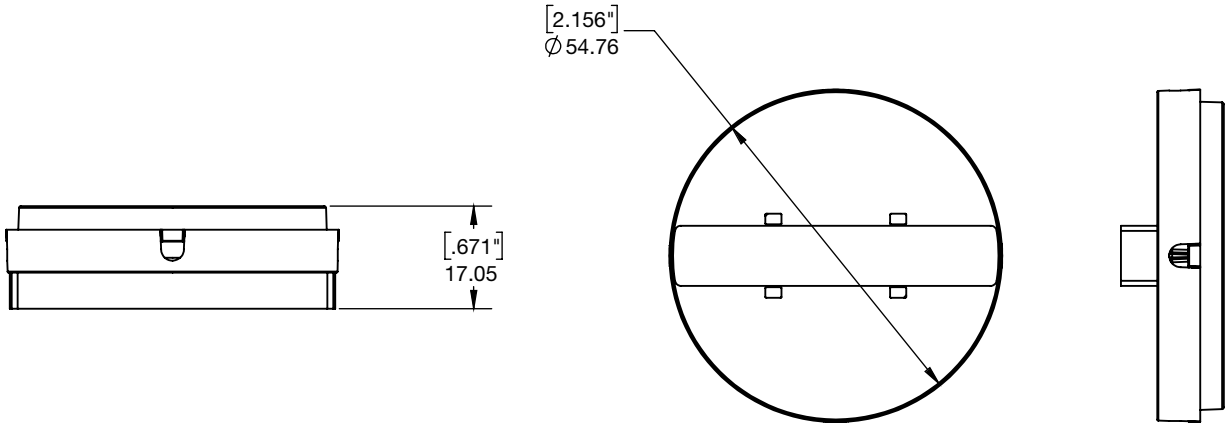


**SPECIFICATIONS**

CAMERA LENS SUPPORT (ZE1006):

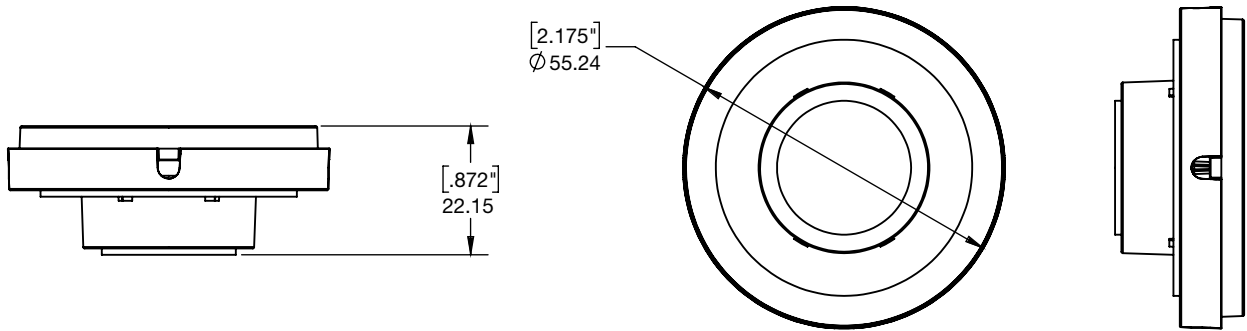


SHAVER PUCK (ZE1007):

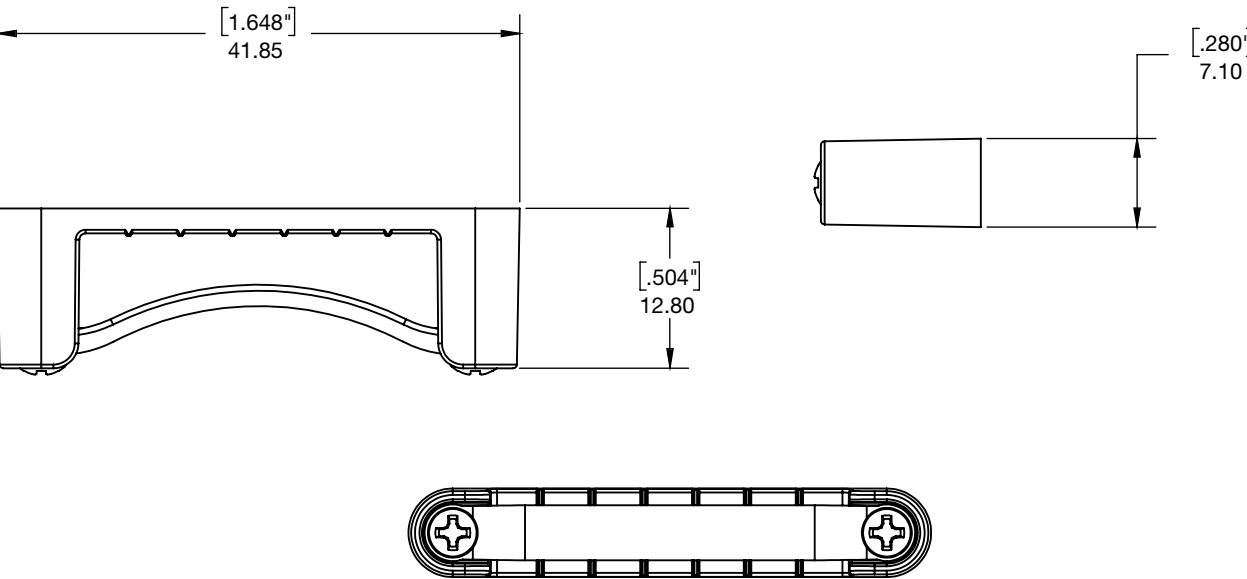


**SPECIFICATIONS**

GPS PUCK (ZE1008):



WEARABLE CLAMPS (ZE1009):



### PRODUCT ORDERING

ORDER CODE	DESCRIPTION	NOTES
ZE1000-W ZE1000-B	MAGNETIC SHROUD WITH FLAT BASE	Available in White or Black
ZE1001-W ZE1001-B	MAGNETIC SHROUD WITH ANGLED BASE	Available in White or Black
ZE1002-W ZE1002-B	MAGNETIC SHORT STAND	Available in White or Black
ZE1003-W ZE1003-B	WEARABLE STAND	Available in White or Black
ZE1004-W ZE1004-B	CAMERA PUCK	Available in White or Black
ZE1005-W ZE1005-B	DUAL MINI-MICRO SENSOR	Available in White or Black
ZE1006-W ZE1006-B	CAMERA LENS SUPPORT	Available in White or Black
ZE1007-W ZE1007-B	SHAVER PUCK	Available in White or Black
ZE1008-W ZE1008-B	GPS PUCK	Available in White or Black
ZE1009	WEARABLE CLAMPS	

invue.com

©2019 InVue Security Products. No endorsement of InVue products has been made by any of the manufacturers of the products shown. Product is sold pursuant to InVue's warranty which can be found at [www.invue.com/warranty](http://www.invue.com/warranty).

**THE AMERICAS** 704.752.6513 • 888.55.INVUE  
**EUROPE, MIDDLE EAST & AFRICA** +31.23.8900150  
**ASIA PACIFIC** +852.3127.6811