

The perfect balance of design, experience and security... with advanced analytics.



The Series 960 POD features an optimal combination of contemporary design and high consumer experience. It's completely scalable

to meet your security needs, and along with compatible software, can provide critical user data and analytics... all at a very compelling price.



## FEATURES AND BENEFITS

- 1 Above counter POD simplifies installation
- 2 Ability to cross-merchandise accessories next to smartphones and tablets via a powered accessory alarm port (5V, 500mA)
- 3 Common visual merchandising platform shared with additional InVue solutions
- 4 Native 3A power-up capability for power hungry type-C tablets
- 5 Loud 100db alarm for 10 seconds, followed by 95db alarm



### FEATURES AND BENEFITS (continued)

- 1 Small sensor provides minimal interference
- 2 Nightly removal capability by simply removing sensor from base
- 3 Compatible with InVue Insight (optional sensor) to provide support for data capture and advanced analytics
- 4 Optional, easy to install brackets provide scalable deterrence
- 5 Serialized IR Key interface provides compatibility with InVue Access Manager zone control and auditing
- 6 Smaller strain relief improves aesthetics while maintaining high quality and reliability



**IR ECOSYSTEM™**

Series 960 is part of the exclusive InVue IR Ecosystem™, a storewide single key solution that improves customer service, increases sales and provides high theft protection.

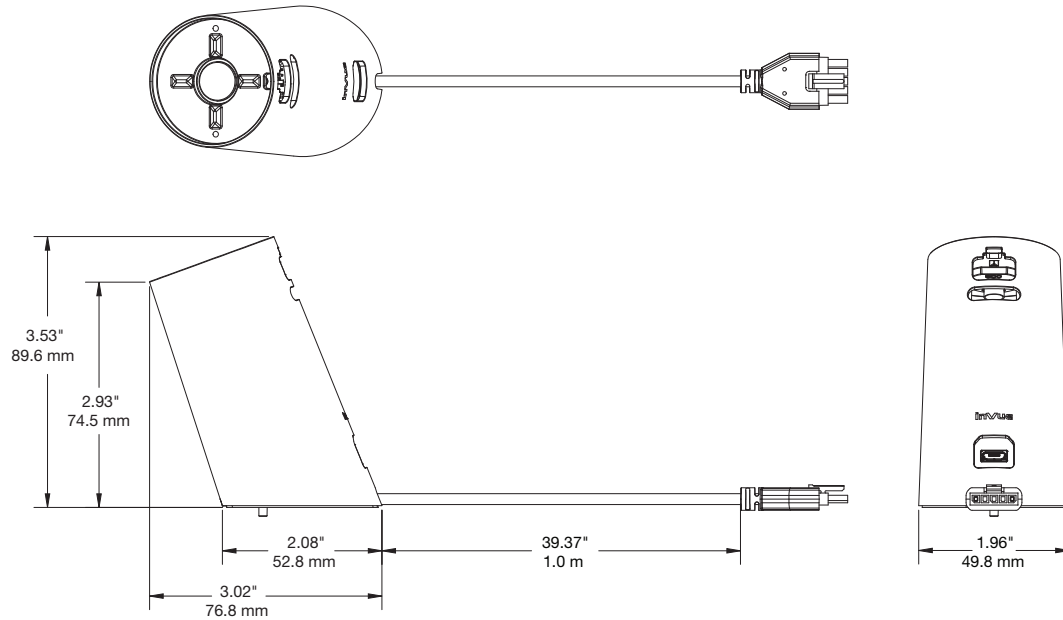


- Handheld Electronics
- Electronic Accessories
- Secure Fixtures
- Package Protection
- Locked Cabinets
- Commercial Solutions

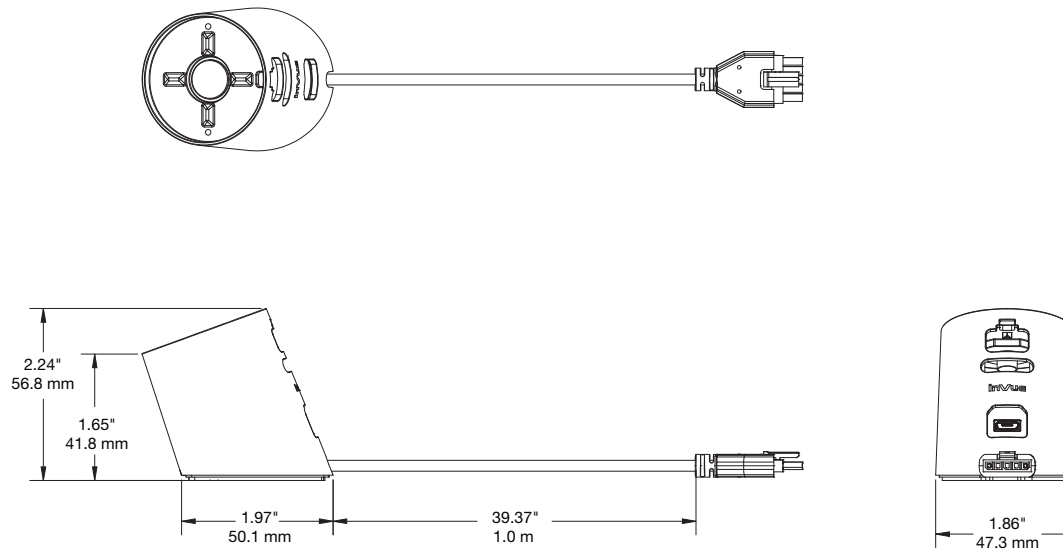


## SPECIFICATIONS

S960 Tall Angled Stand (DGD100):

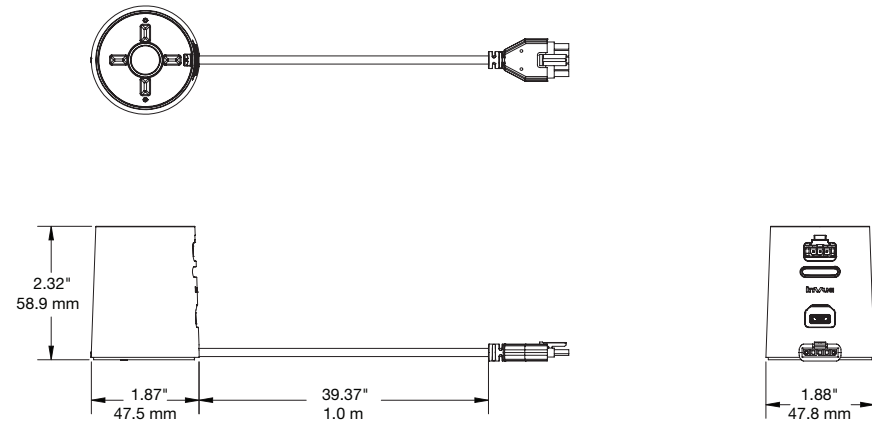


S960 Short Angled Stand (DGD101):

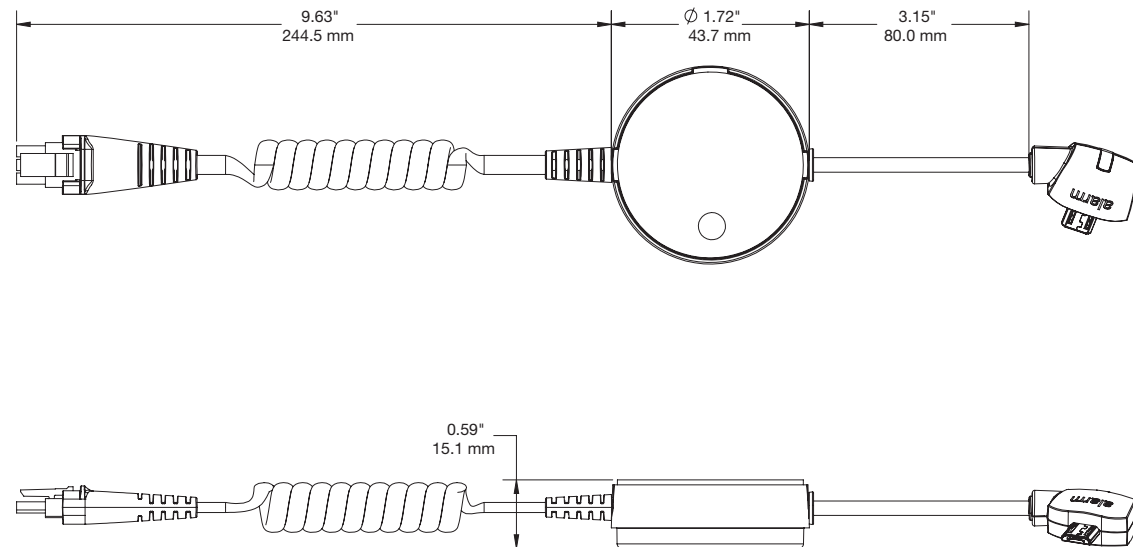


## SPECIFICATIONS

S960 Short Flat Stand (DGD102):

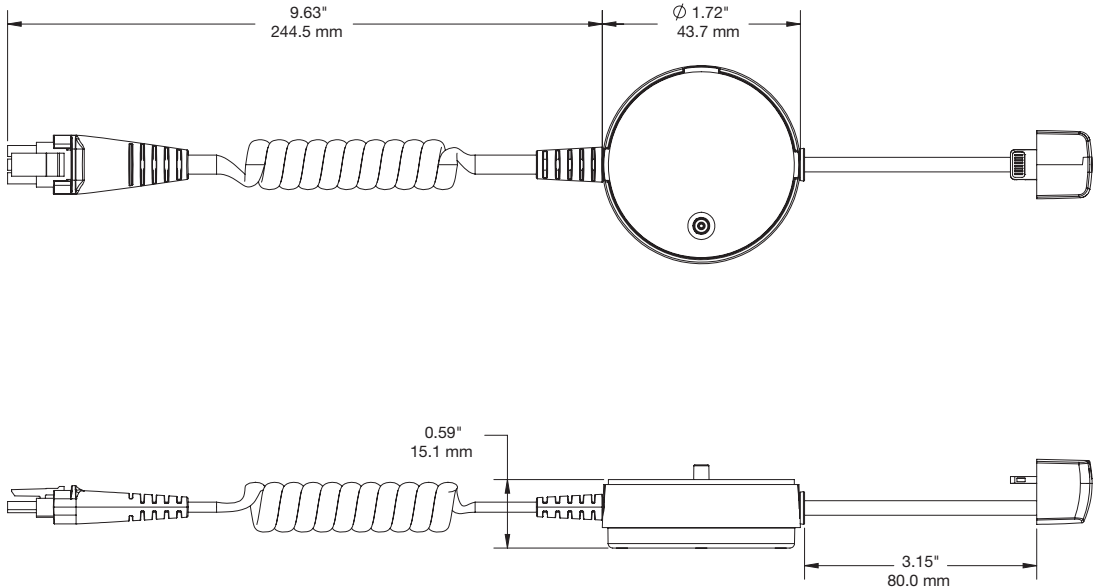


S960 HH Sensor Micro USB (DGH200):

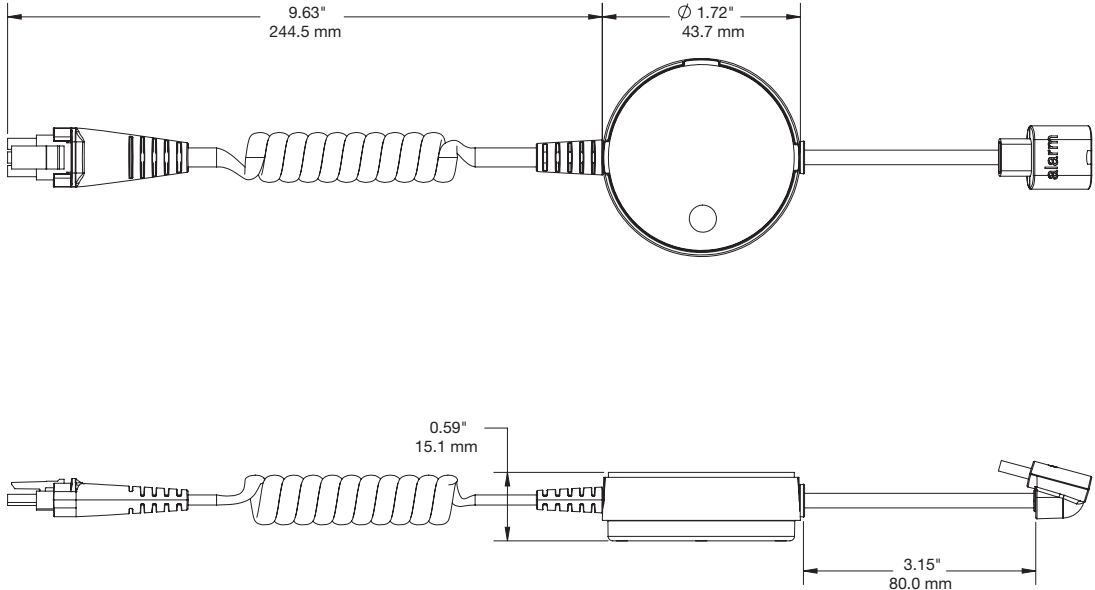


**SPECIFICATIONS**

S960 HH Sensor, Lightning (DGH202):

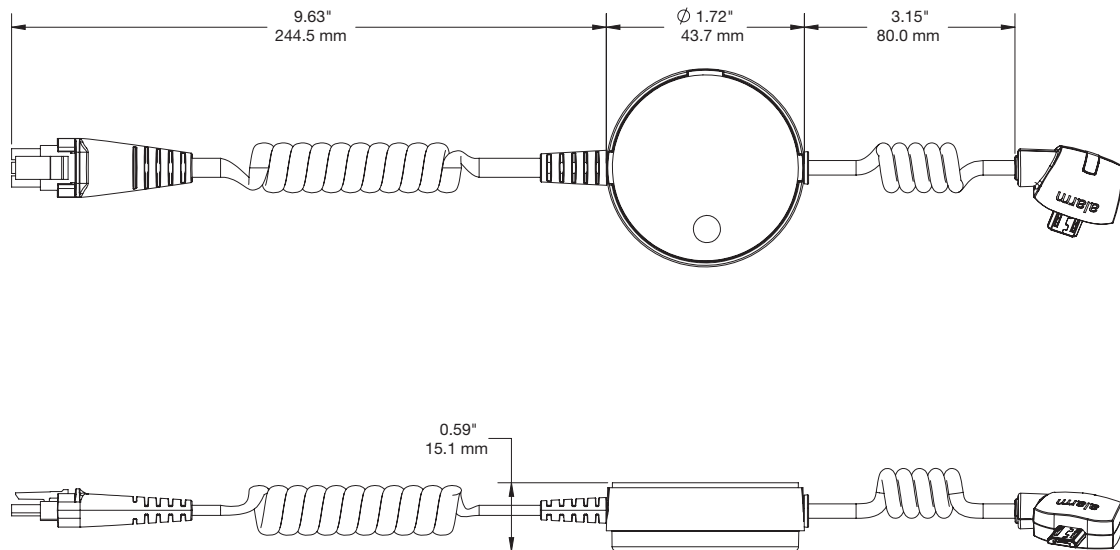


S960 HH Sensor, USB-C (DGH206):

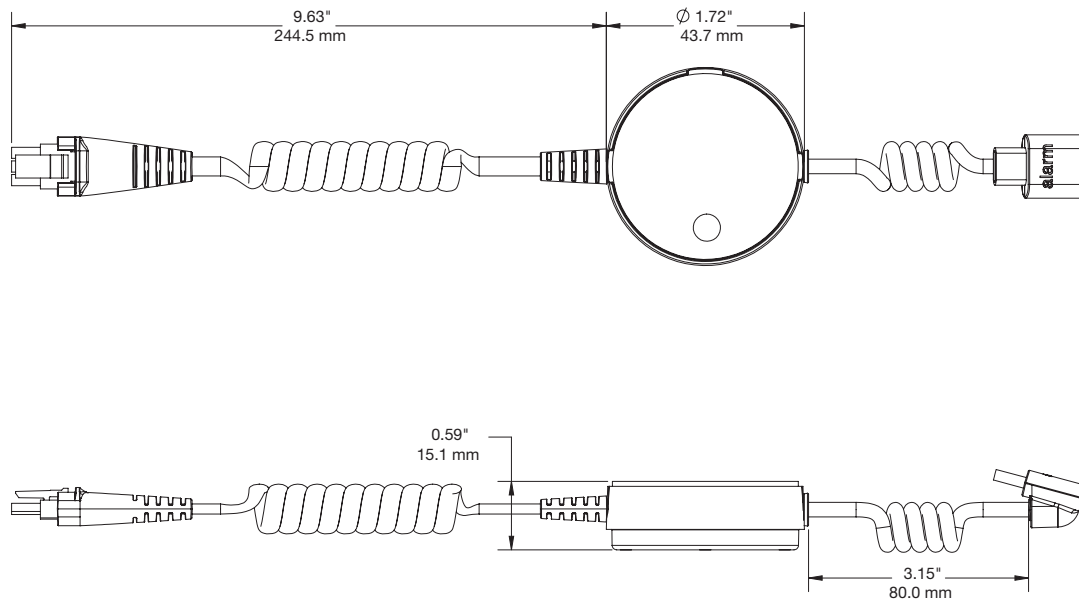


## SPECIFICATIONS

S960 Tablet Sensor Micro USB (DGT200):



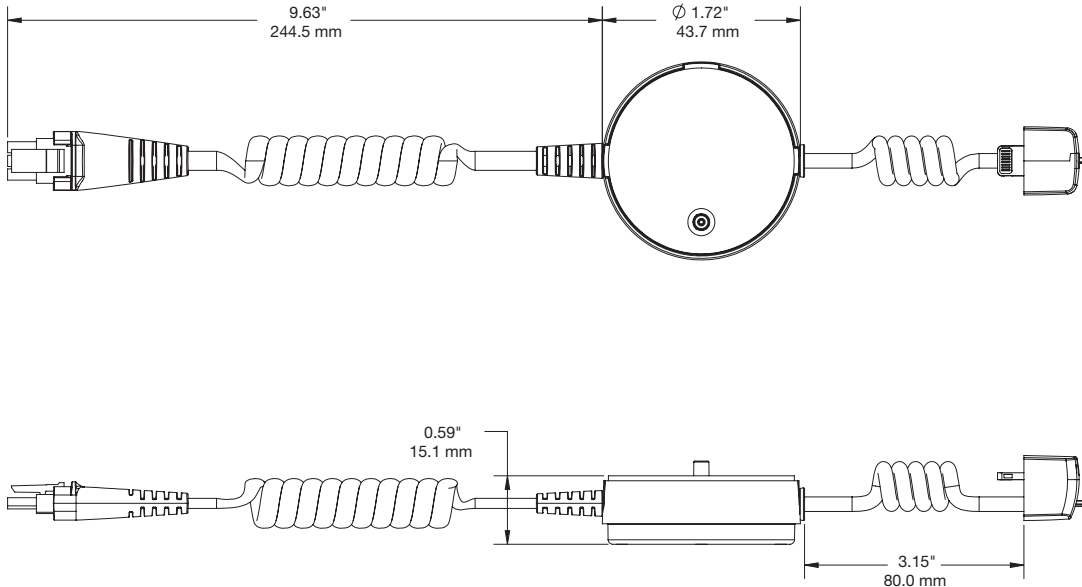
S960 Tablet Sensor USB-C (DGT201):





**SPECIFICATIONS**

S960 Tablet Sensor Lightning (DGT202):



## PRODUCT ORDERING

ORDER CODE	DESCRIPTION	NOTES
<b>DISPLAY STANDS</b>		
DGD100-W DGD100-B	S960 Tall Angled Stand - White S960 Tall Angled Stand - Black	
DGD101-W DGD101-B	S960 Short Angled Stand - White S960 Short Angled Stand - Black	
DGD102-W DGD102-B	S960 Short Flat Stand - White S960 Short Flat Stand - Black	
DGD103-W DGD103-B	S960 Tall Angled Display Only Stand - White S960 Tall Angled Display Only Stand - Black	
DGD104-W DGD104-B	S960 Short Angled Stand Display Only - White S960 Short Angled Stand Display Only - Black	
DGD105-W DGD105-B	S960 Flat Display Only Stand - White S960 Flat Display Only Stand - Black	
<b>SENSORS</b>		
DGH200-W DGH200-B	S960 HH Sensor Micro USB - White S960 HH Sensor Micro USB - Black	
DGH202-W DGH202-B	S960 HH Sensor, Lightning - White S960 HH Sensor, Lightning - Black	
DGH203-W DGH203-B	S960 HH Sensor Display Only - White S960 HH Sensor Display Only - Black	
DGH206-W DGH206-B	HH Sensor, USB-C - AP - White HH Sensor, USB-C - AP - Black	
DGT200-W DGT200-B	S960 Tablet Sensor Micro USB - White S960 Tablet Sensor Micro USB - Black	
DGT201-W DGT201-B	S960 Tablet Sensor USB-C - White S960 Tablet Sensor USB-C - Black	
DGT202-W DGT202-B	S960 Tablet Sensor Lightning - White S960 Tablet Sensor Lightning - Black	



## PRODUCT ORDERING

ORDER CODE	DESCRIPTION	NOTES
<b>BRACKETS, ACCESSORIES &amp; REPLACEMENT PARTS</b>		
DGH204 -W DGH204 - B	S960 HH Arm Bracket & Mounting Plate - White S960 HH Arm Bracket & Mounting Plate - Black	
DGT204 -W DGT204 -B	S960 Tablet Arm Brackets & Mounting Plate - White S960 Tablet Arm Brackets & Mounting Plate - Black	
DGT205 -W DGT205 -B	S960 Tablet Viper Arm Bracket & Mounting Plate - White S960 Tablet Viper Arm Bracket & Mounting Plate - Black	
DGD402	S960 Slot Mount Bracket	
DGD403	S960 Screw Down Kit	
DGD404	S960 PSA Plate - Replacement	
DGD405	S960 90 Degree DIB Cable	
ADH2119	Replacement PSA - S850 & S960 Sensors	> 8 pieces
ADH2120	Replacement PSA - S850 & S960 Angled Stand	> 6 pieces
ADH2158	S960 Tall Stand PSA	> 6 pack
ADH2159	S960 & S850 Flat Stand PSA	> 6 pack
<b>INSIGHT</b>		
INS3201-W INS3201-B	S960 5M Insight POD/Hub Above Counter Cable - White S960 5M Insight POD/Hub Above Counter Cable - Black	> 4 pack
INS3301-W INS3301-B	S960 2.5M Insight POD/Hub Above Counter Cable - White S960 2.5M Insight POD/Hub Above Counter Cable - Black	> 4 pack
<b>POWER SUPPLIES</b>		
PS530-US PS530-UK PS530-EU PS530-JPN	5V, 3A (5-pin) Power Supply - US 5V, 3A (5-pin) Power Supply - UK 5V, 3A (5-pin) Power Supply - EU 5V, 3A (5-pin) Power Supply - JPN	

invue.com

©2018 InVue Security Products. No endorsement of InVue products has been made by any of the manufacturers of the products shown. Product is sold pursuant to InVue's warranty which can be found at [www.invue.com/warranty](http://www.invue.com/warranty).

**THE AMERICAS** 704.752.6513 • 888.55.INVUE

**EUROPE, MIDDLE EAST & AFRICA** +31.23.8900150

**ASIA PACIFIC** +852.3127.6811