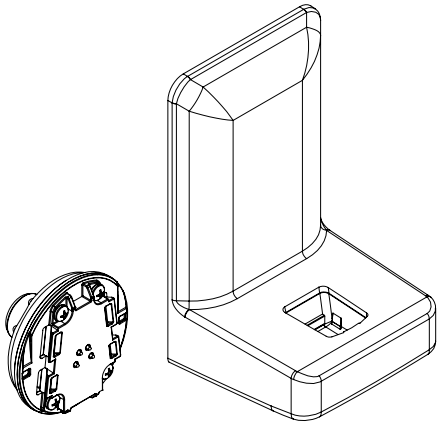


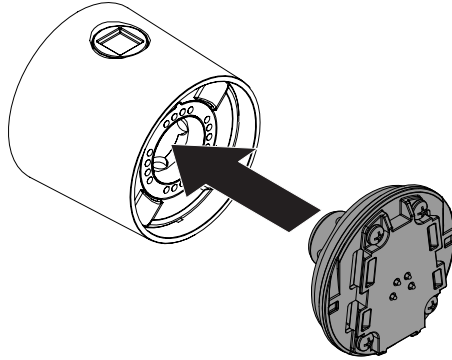
S3100V

Vertical Wireless Wall Stand Sensor & Adapter

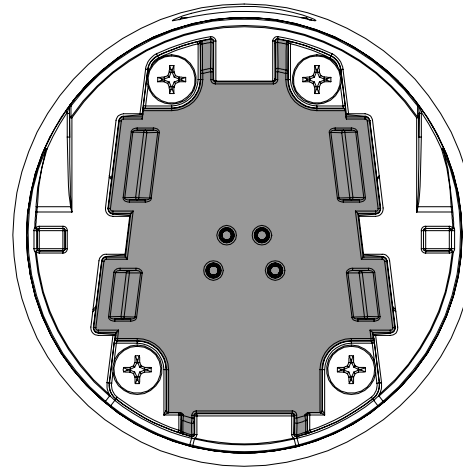
DCD305-B & DCD306-W



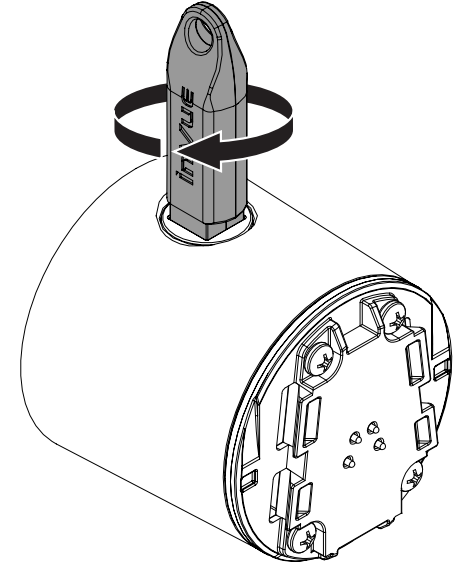
- 1** Insert the adapter into the previously installed OnePOD stand.



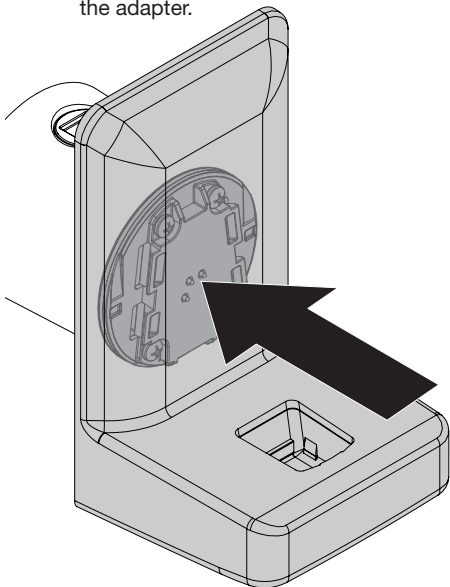
- 2** Ensure that the narrow part of the connector is facing upwards as shown below.



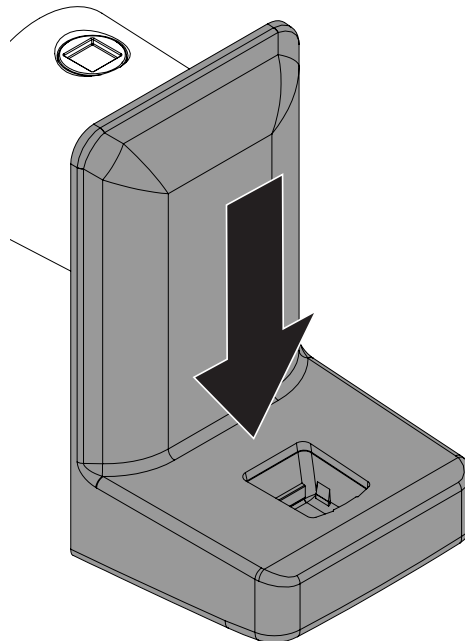
- 3** Place a magnet key (DBG400) onto the lockdown feature on the OnePOD stand. Turn the magnet key 90 degrees clockwise to lock the adapter to the stand.



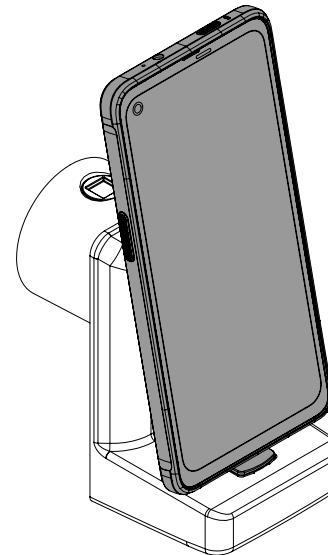
- 4** Align the adapter to the opening on the back of the wall stand. Ensure that the rails in the inside of the wall stand engage with the guides on the adapter.



- 5** Slide the wall stand down on the adapter.



- 6** Place the display device with an S3100V sensor installed onto the wall stand.



Note: Consult the instructions included with the S3100V Sensor for more information on installing the sensor.

SD0859 Rev1 09/16/21

INVUE

www.invue.com

NA / LATAM // 704.752.6513 • 888.55.INVUE

EMEA // +31.23.8900150

APAC // +852.3127.6811