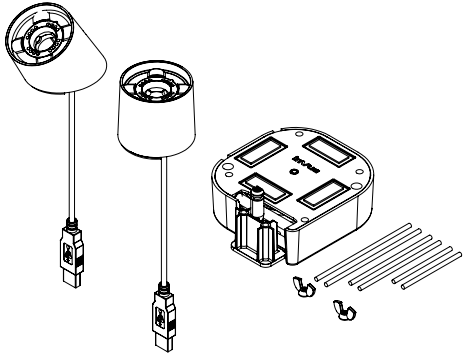


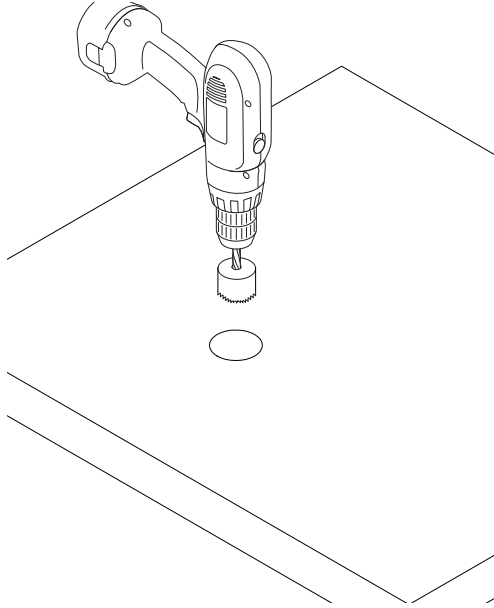


OnePOD

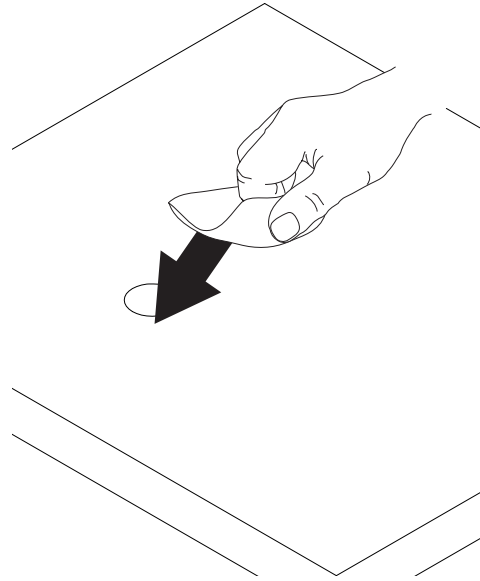
Split Level - Angled and Flat Stands,
Recoiler and Sensors



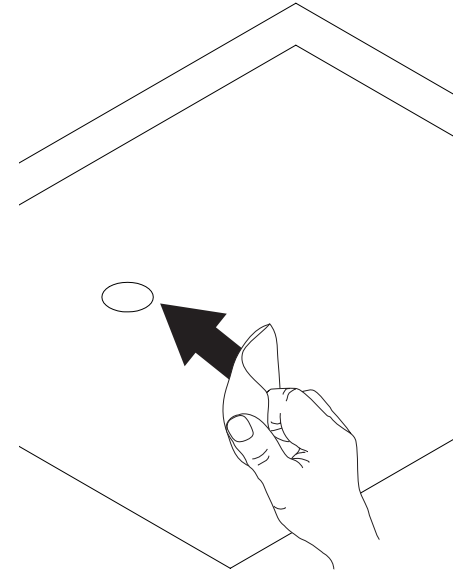
- 1 Stand & Standard Recoiler Installation (DBD300):**
Drill a 1 inch (25mm) hole in the fixture.



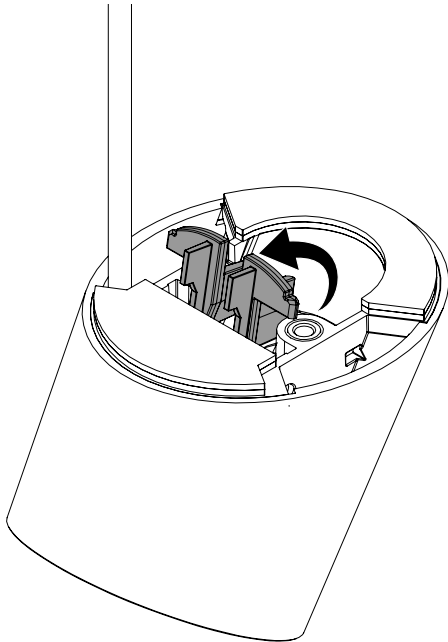
- 2** Wipe fixture with alcohol pad.
Let fixture dry completely.



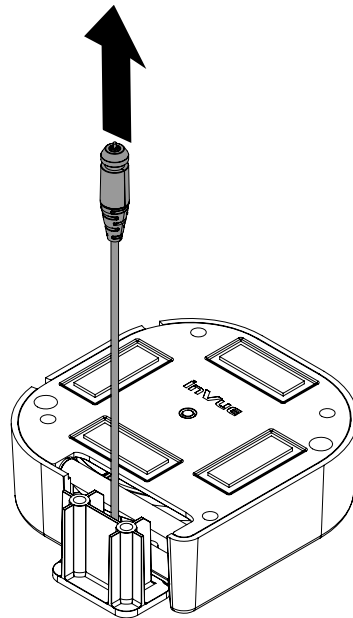
- 3** Wipe the underside of the fixture with alcohol pad.
Let fixture dry completely.



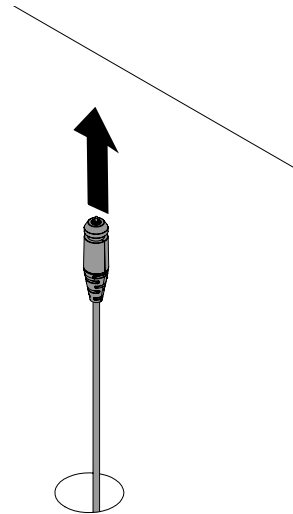
- 4** Swing open the yellow cable stop on the bottom of the stand.



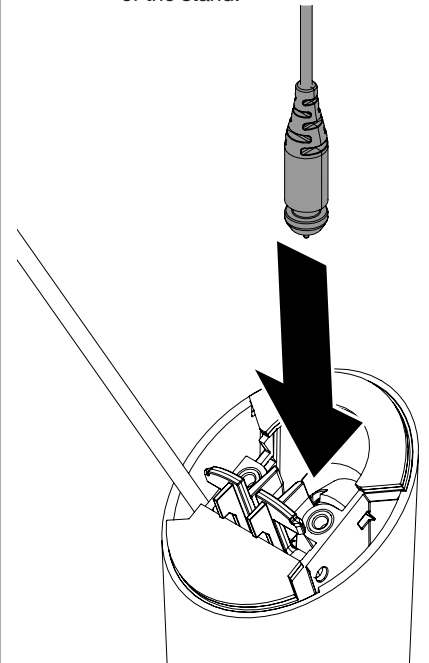
- 5** Beneath the fixture, pull the sensor cable from the recoiler.



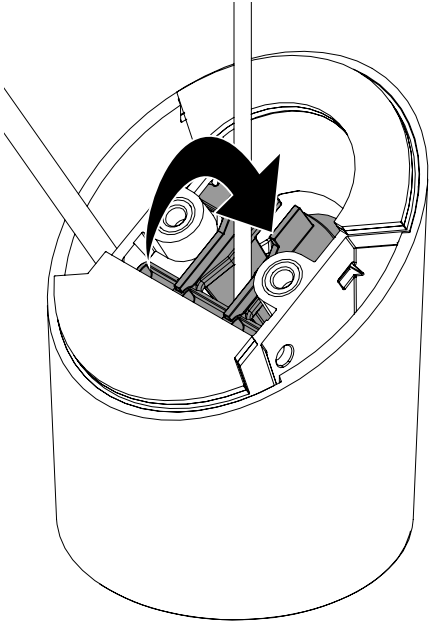
- 6** Feed the sensor cable up through the hole in the fixture.



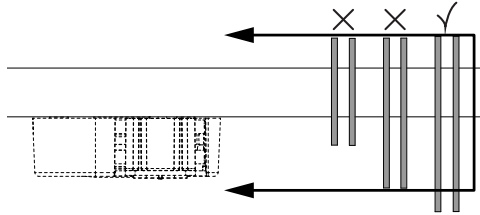
- 7** Route the sensor through the bottom of the stand.



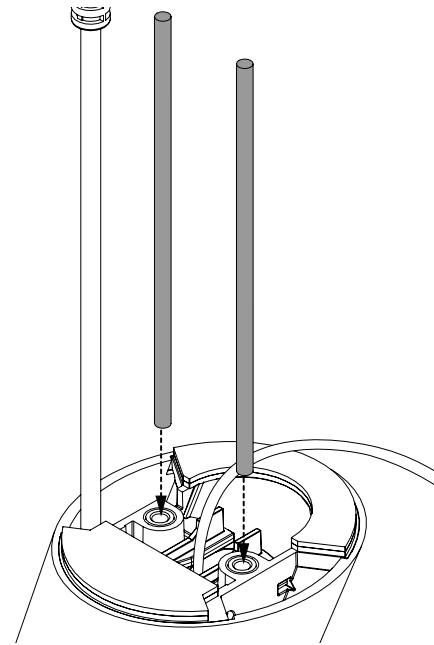
- 8 Swing the yellow cable stop closed to secure the cable.



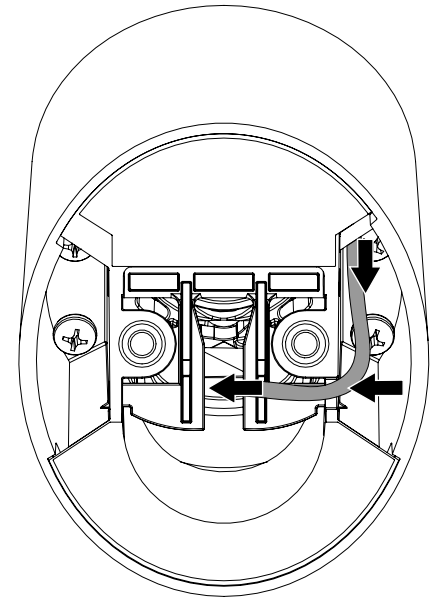
- 9 Hold the recoiler in position and select the stud length that is most appropriate for your fixture thickness. The studs should be long enough to go from the stand and through the holes on the cable guide.



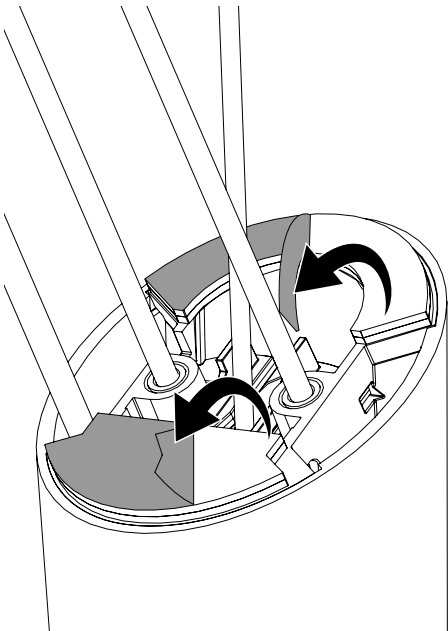
- 10 Install the selected studs into the bottom of the stand.



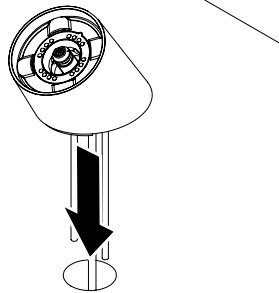
- 11 Route the power cable through the gap in the on the bottom of the stand so that it will sit close to the center.



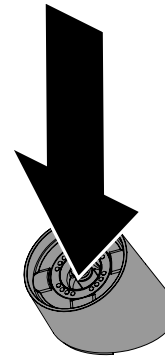
- 13 Peel the liners from the 2 adhesives on the bottom of the stand.



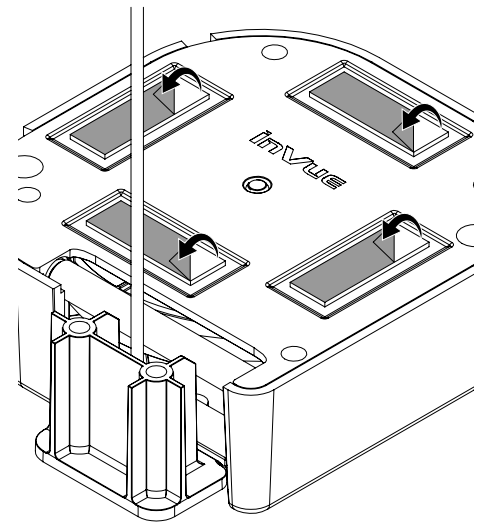
- 14 Hold the power cable in place and set the stand over the hole so that the cables and studs fit through the hole in the fixture.



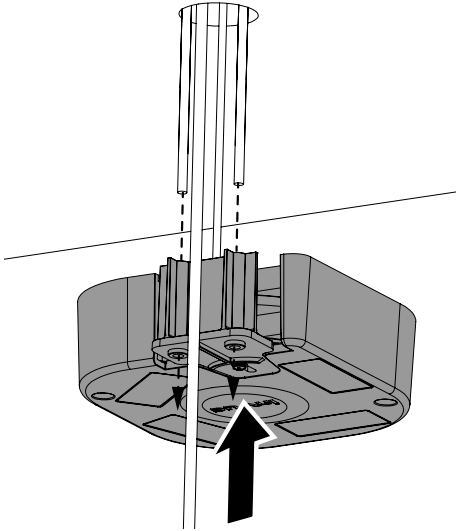
- 15 Press the stand against the fixture for at least 10 seconds.



- 16 Peel the liners from the 4 adhesives on the recoiler.

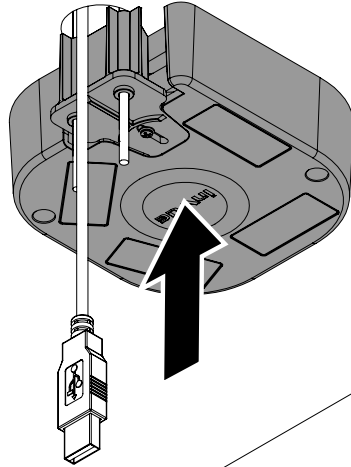


- 16 Place the recoiler so that the studs are aligned with the holes in the cable guide on the recoiler.

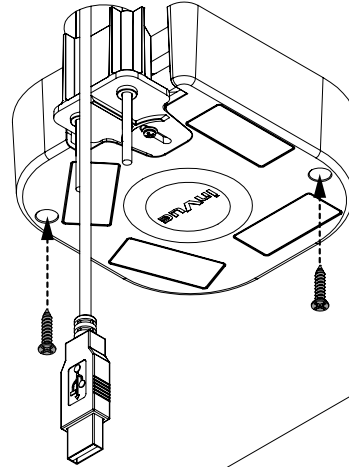


Make sure that the sensor cable is not wrapped around the cable guide.

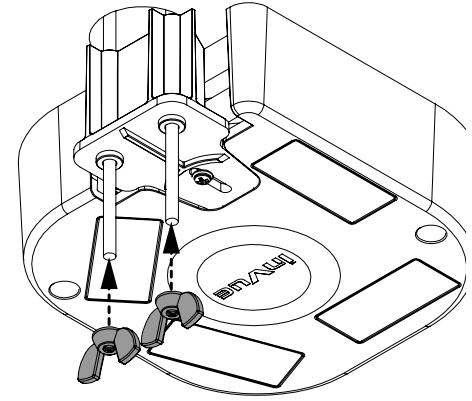
- 17a **Optional:**
If the adhesives were used, press the recoiler against the underside of the fixture for at least 10 seconds.



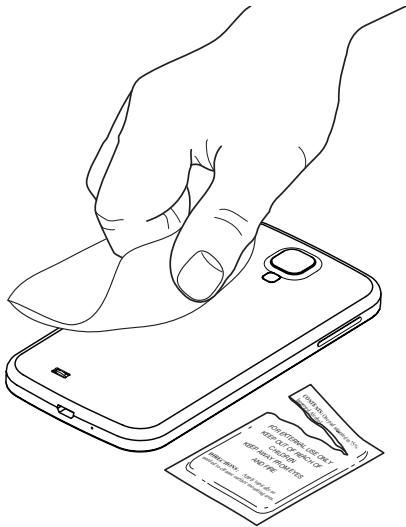
- 17b **Optional:**
If more stability is desired, use two #5 wood screws (not provided) to mount the recoiler to the underside of the fixture.



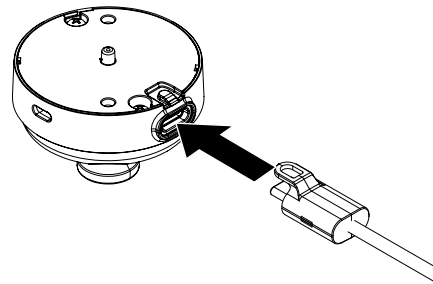
- 18 Beneath the counter, secure the stand to the recoiler with the 2 wing-nuts. Tighten fully by hand. **Do NOT overtighten.**



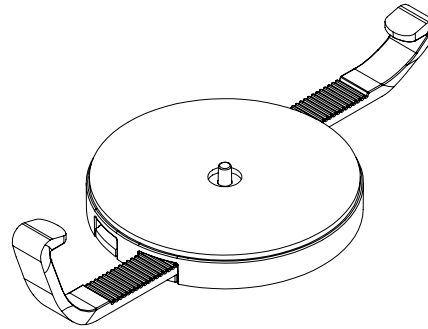
- 19 **Sensor Installation:**
Wipe the back of device with the provided alcohol pad. **Let it dry completely.**



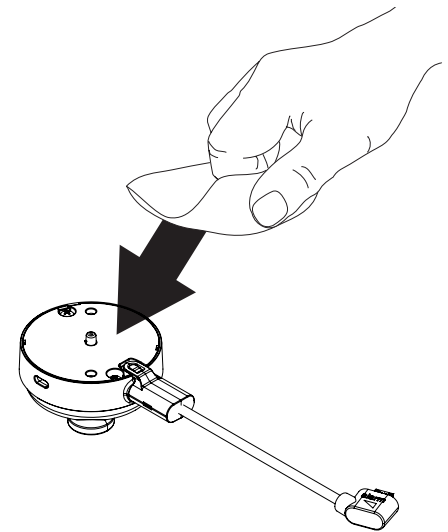
- 20 Plug the power connector into the sensor.



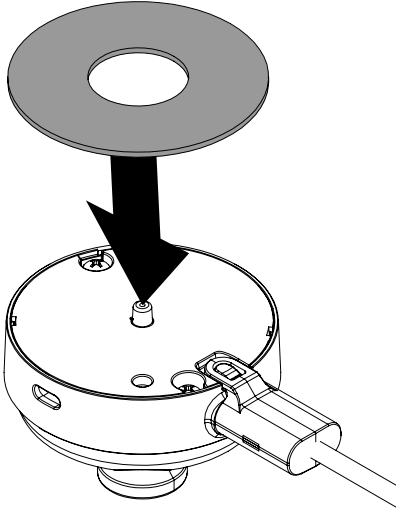
- 21 **Optional:**
If bracket arms will be used in this installation, please see those instructions now.



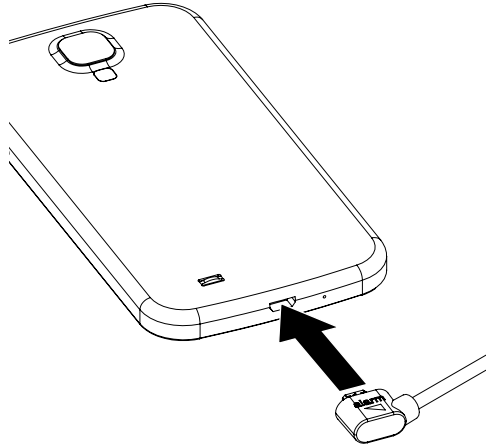
- 22 Wipe the flat surface of the sensor with the provided alcohol pad. **Let it dry completely.**



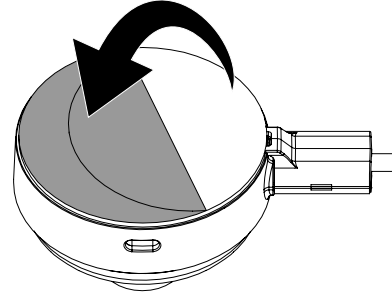
23 Remove the adhesive from the paper backing and place it onto the sensor. Apply pressure for at least 10 seconds.



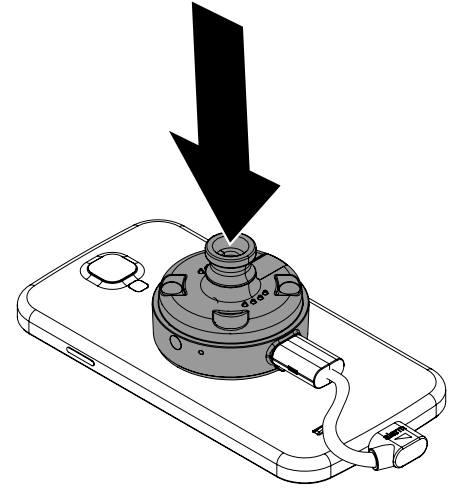
24 Plug the power connector into the device.



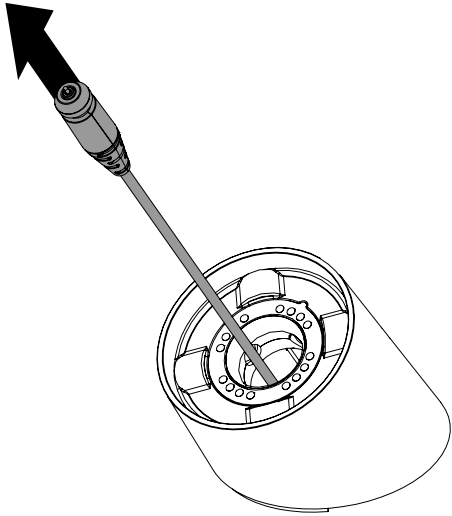
25 Peel the clear film from the adhesive on the sensor.



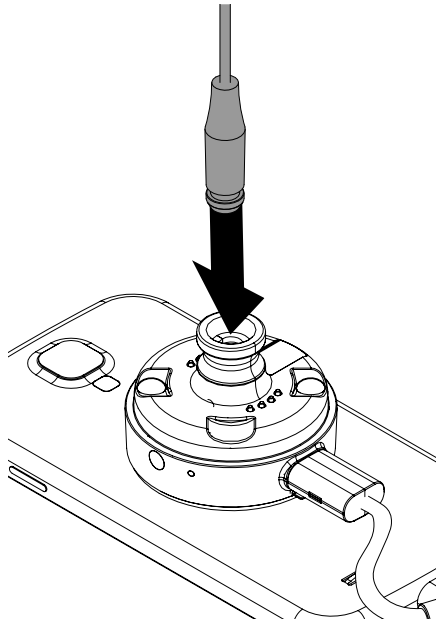
26 Center the sensor on the back of the device and apply pressure for at least 10 seconds.



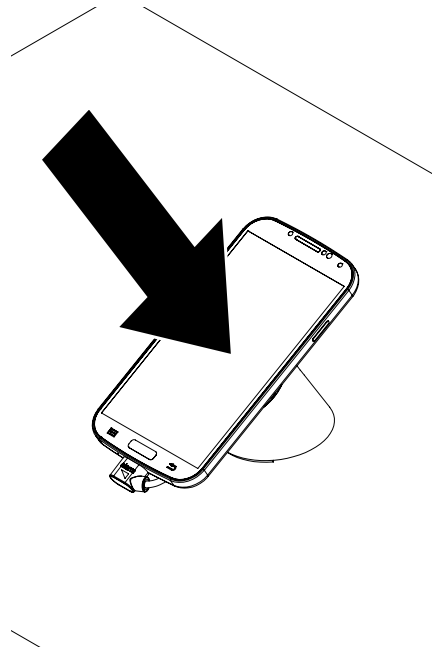
27 Attaching the Sensor to the Stand:
Pull the sensor cable from the stand.



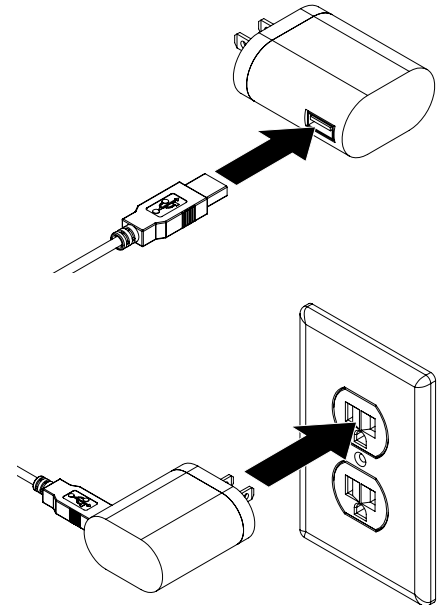
28 Plug the sensor cable into the sensor. The sensor will click when the cable is inserted properly.



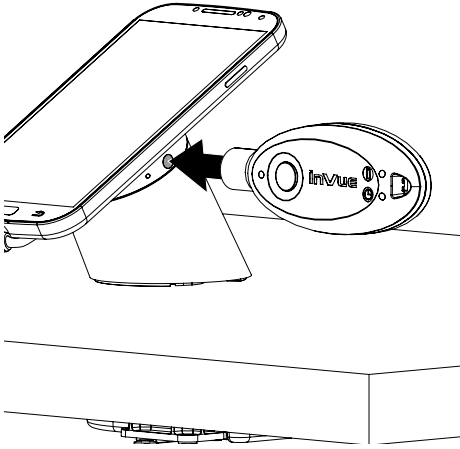
29 Place the sensor and device onto the stand.



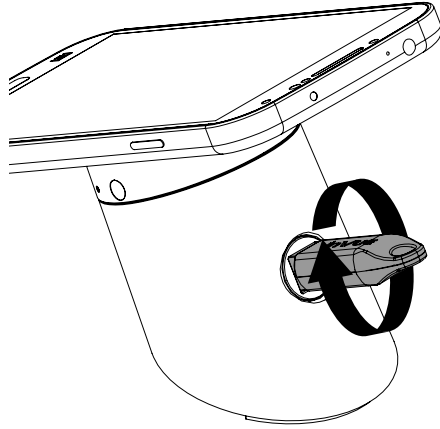
30 Plug the power cable from the stand into the power supply. Plug the power supply into a power outlet.



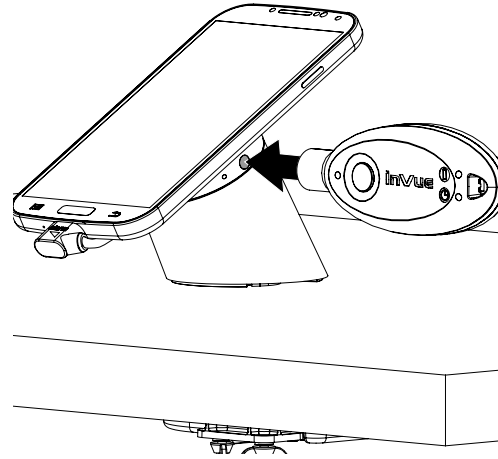
- 31** Place a charged and coded IR key against the lens on the side of the sensor. Press the button on the key to transfer the code to the stand and sensor. The stand will chirp to confirm.



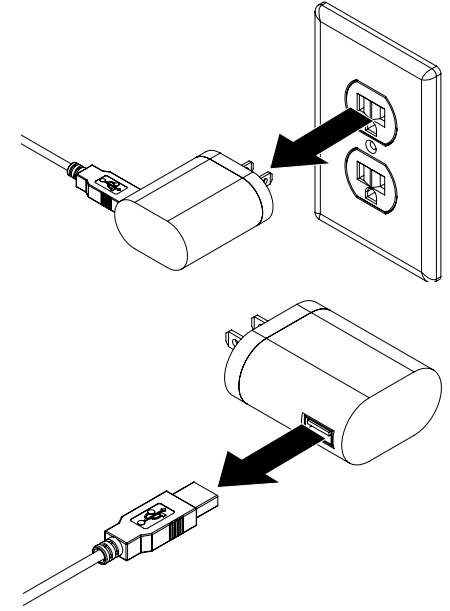
- 32 Optional:** To secure the sensor to the stand and prevent the device from being lifted. Insert the magnet key (DBG400 or DBG406) into the depression on the back of the stand and turn it 1/4 turn clockwise. Turn the key counterclockwise to unlock the sensor.



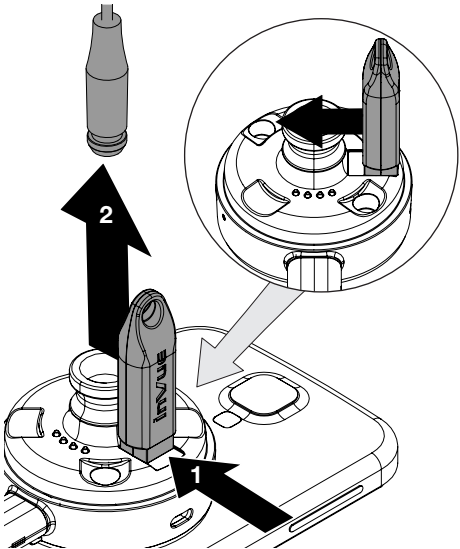
- 1 Removal:** Deactivate the stand by placing a charged and coded IR key against the IR lens on the side of the sensor and pressing the button. The stand will chirp to confirm.



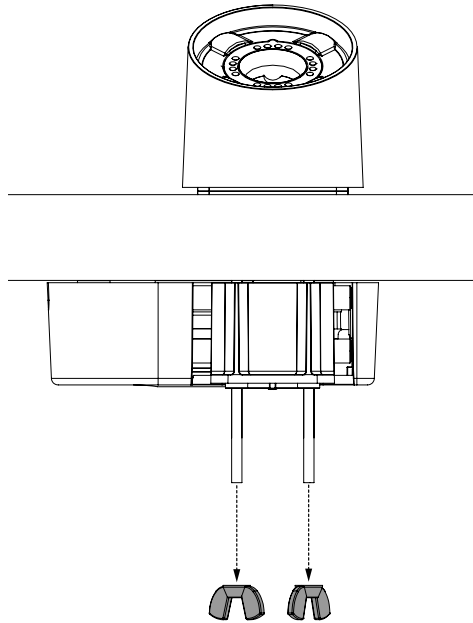
- 2** Unplug the power supply from the wall and disconnect the power supply from the stand's power cable.



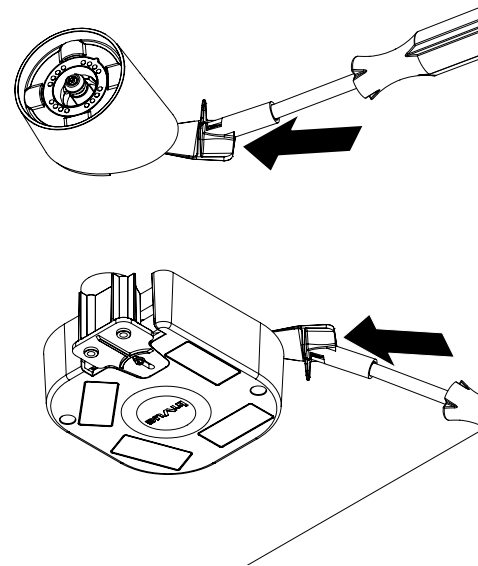
- 3** Remove the sensor and device from the stand. Place the magnet key (DBG400 or DBG406) into the depression on the sensor and push it inward to release the sensor cable. Pull the cable free.



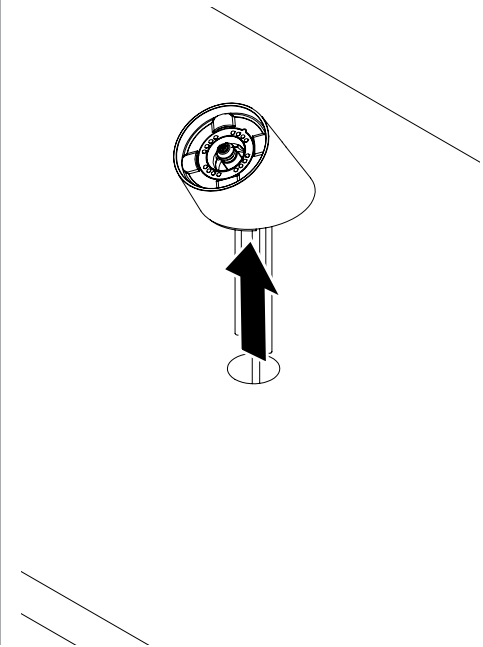
- 4** Remove the wingnuts from the studs.



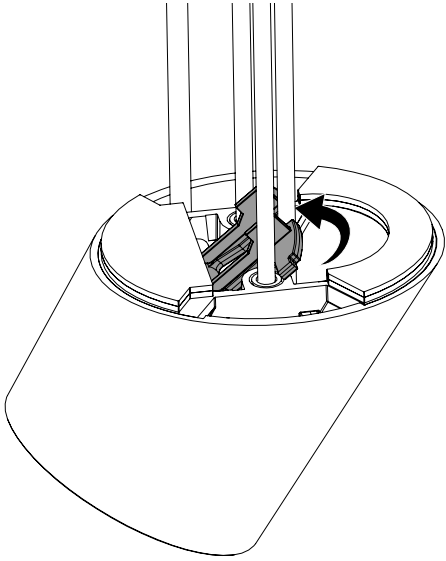
- 5** Use the scraper removal attachment (DNTX93) to break the adhesive bond between the stand and the surface. Use the scraper to remove the recoiler from beneath the fixture.



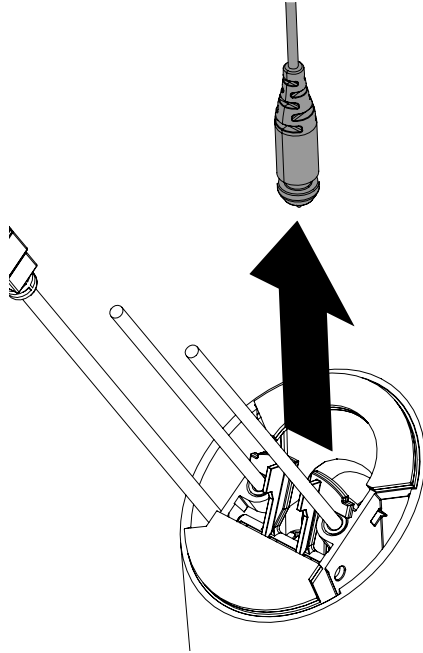
- 6** Lift stand free from fixture.



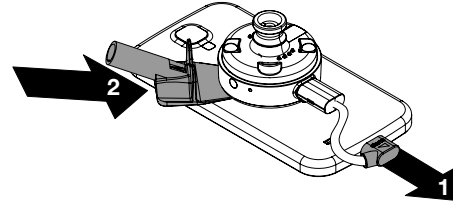
- 7 Remove the sensor cable from the stand by lifting the cable catch.



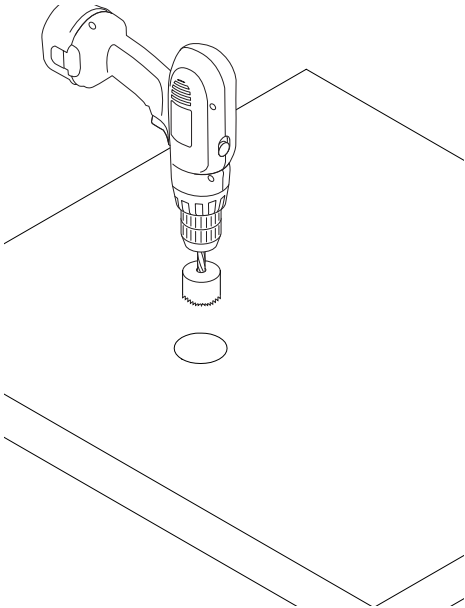
- 8 Pull the sensor cable free.



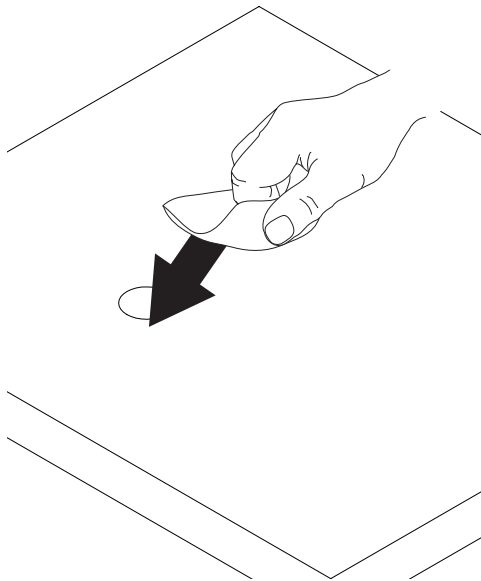
- 9 To remove sensor from device:
1. Unplug alarm/power connector from device.
2. Use the scraper removal attachment (DNTX93) to break the adhesive bond between the sensor and the device.



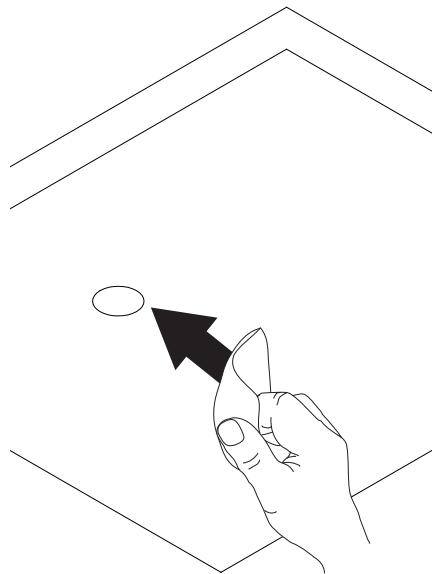
- 1 **Stand & Enhanced Recoiler Installation (DBD305/306/310):**
Drill a 1 inch (25mm) hole in the fixture.



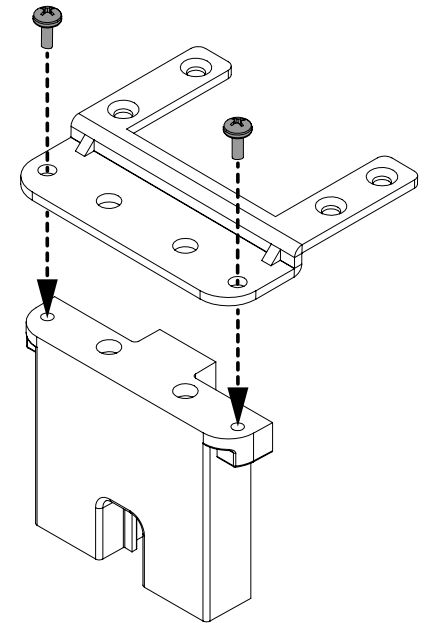
- 2 Wipe fixture with alcohol pad.
Let fixture dry completely.



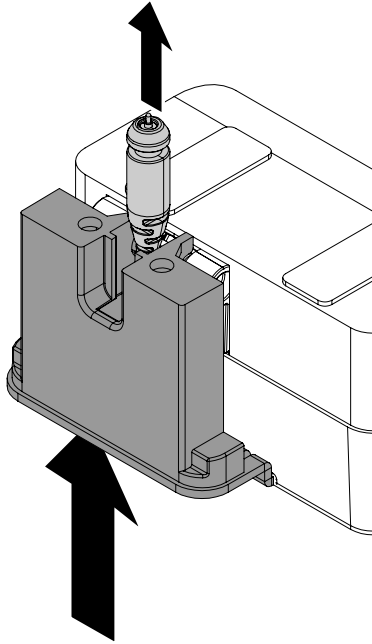
- 3 Wipe the underside of the fixture with alcohol pad.
Let fixture dry completely.



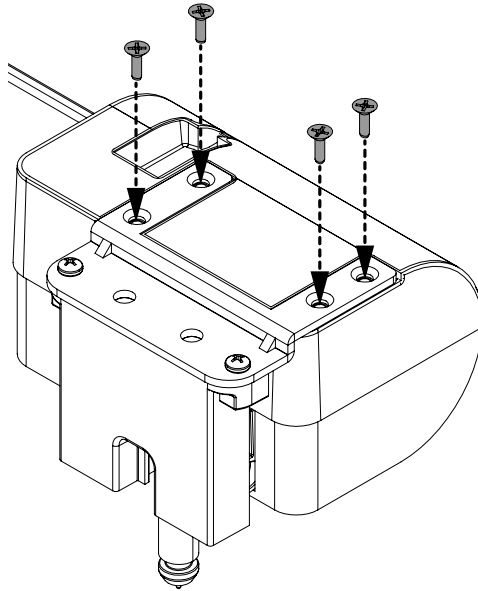
- 4 Attach the mounting bracket to the cable guide using the 2 provided pan head screws.



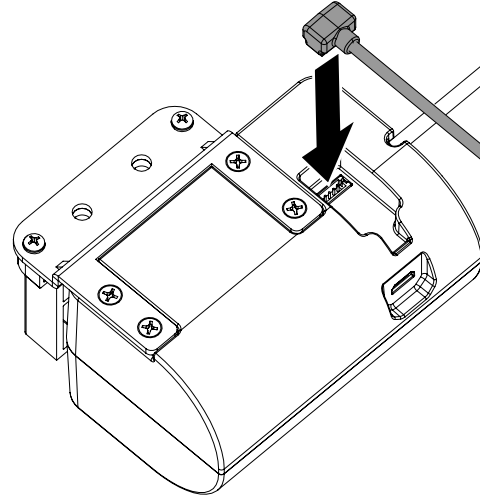
- 5 Place the cable guide assembly onto the recoiler. Position the sensor cable as shown.



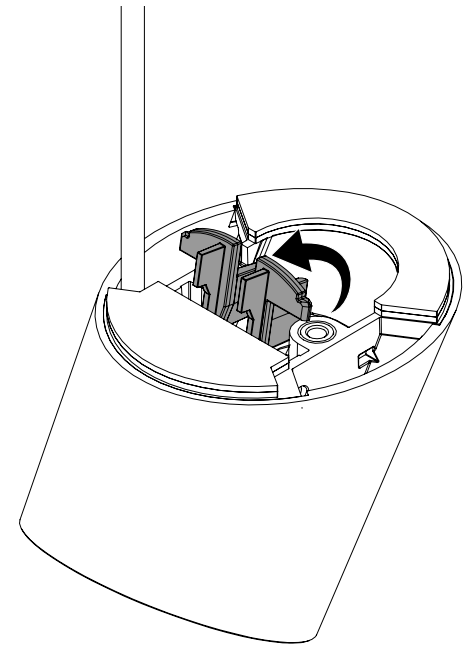
- 6 Secure the cable guide assembly to the recoiler using the other 4 screws.



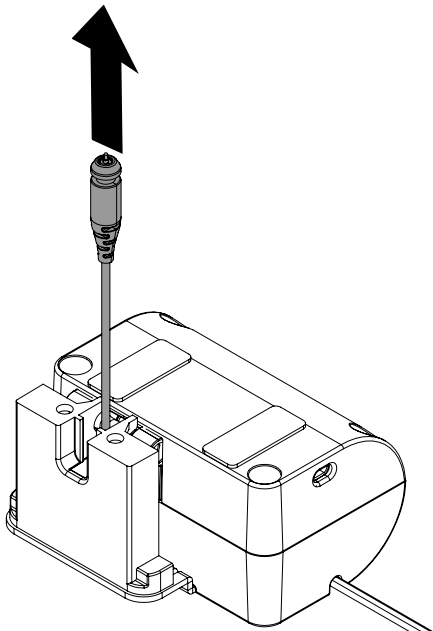
- 7 **Optional:** If using Insight, plug the DIB cable into the bottom of the recoiler.



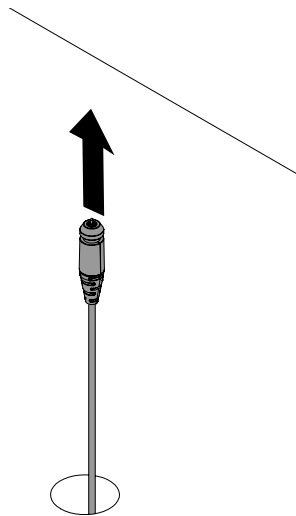
- 8 Swing open the yellow cable stop on the bottom of the stand.



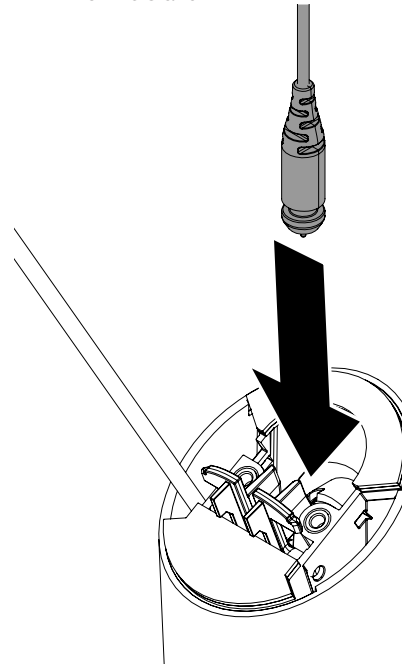
- 9 Beneath the fixture, pull the sensor cable from the recoiler.



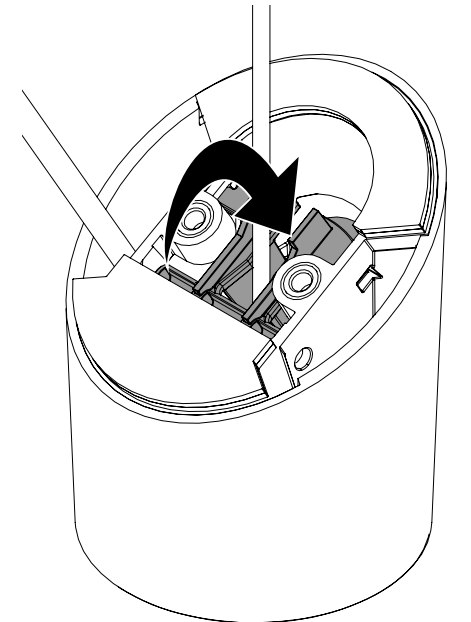
- 10 Feed the sensor cable up through the hole in the fixture.



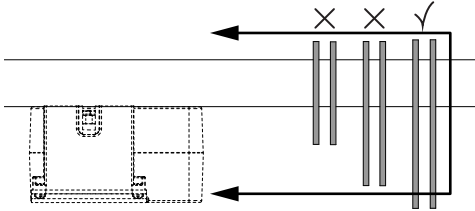
- 11 Route the sensor through the bottom of the stand.



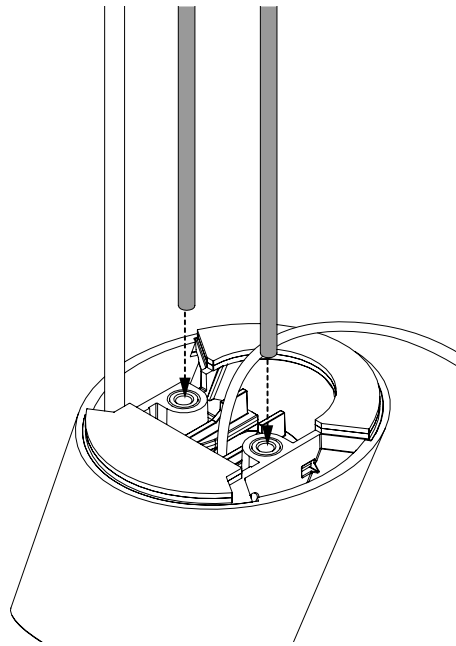
- 12 Swing the yellow cable stop closed to secure the cable.



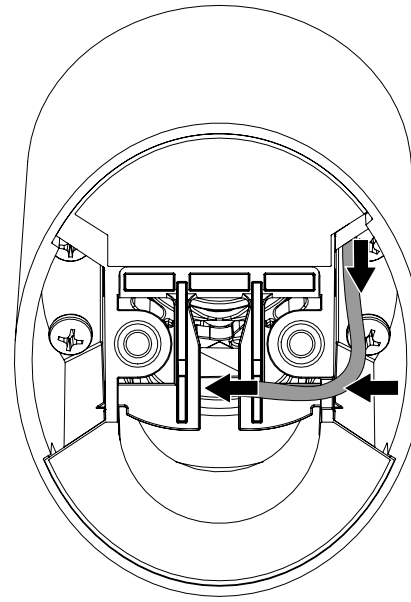
13 Hold the recoiler in position and select the stud length that is most appropriate for your fixture thickness. The studs should be long enough to go from the stand and through the holes on the cable guide.



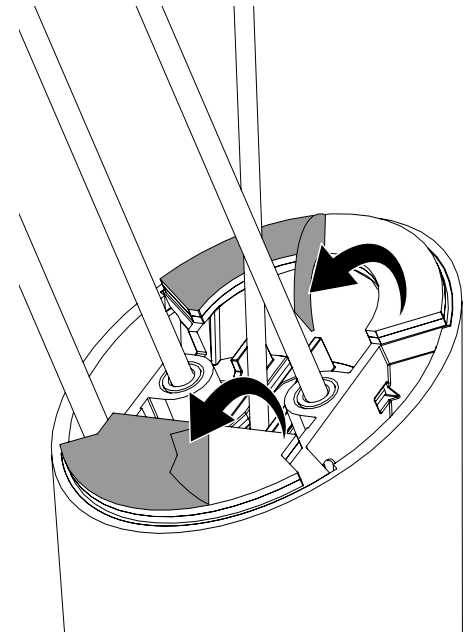
14 Install the selected studs into the bottom of the stand.



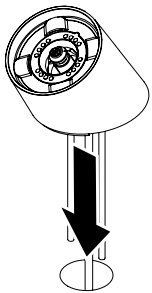
15 Route the power cable through the gap in the on the bottom of the stand so that it will sit close to the center.



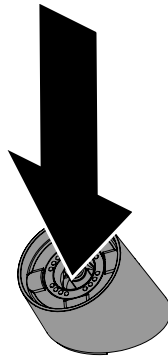
16 Peel the liners from the 2 adhesives on the bottom of the stand.



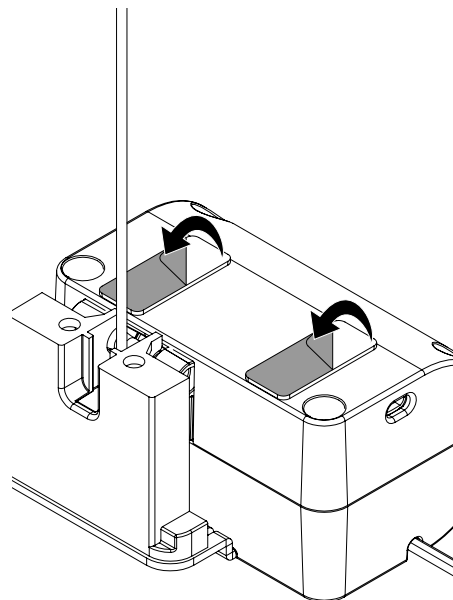
17 Hold the power cable in place and set the stand over the hole so that the cables and studs fit through the hole in the fixture.



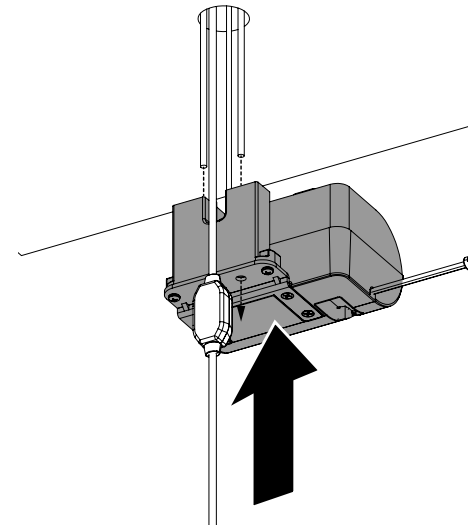
18 Press the stand against the fixture for at least 10 seconds.



19 Peel the liners from the 2 adhesives on the recoiler.

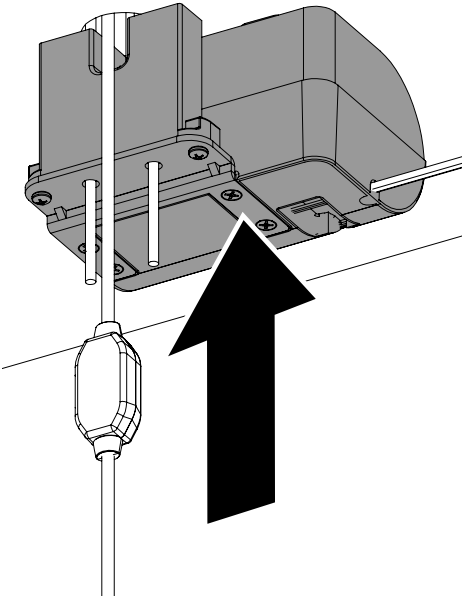


20 Place the recoiler so that the studs are aligned with the holes in the cable guide on the recoiler.

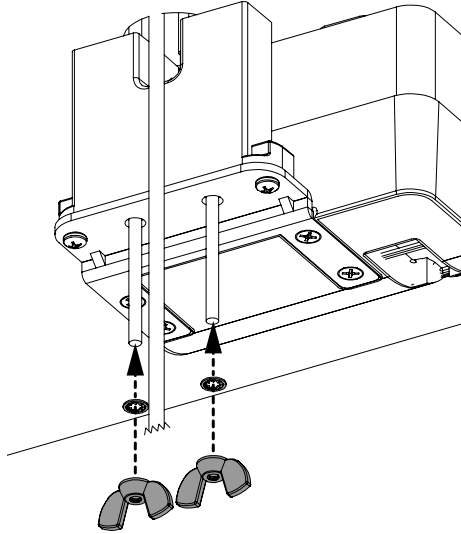


Make sure that the sensor cable is not wrapped around the cable guide.

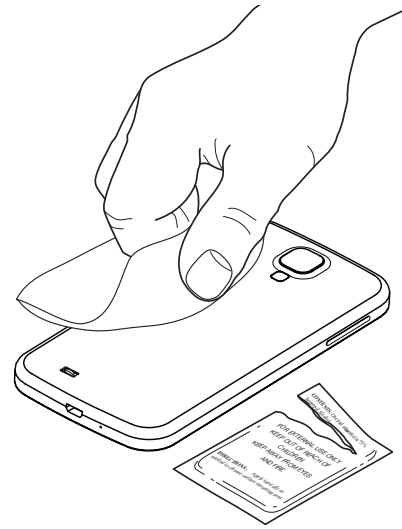
- 21 Press the recoiler against the underside of the fixture for at least 10 seconds.



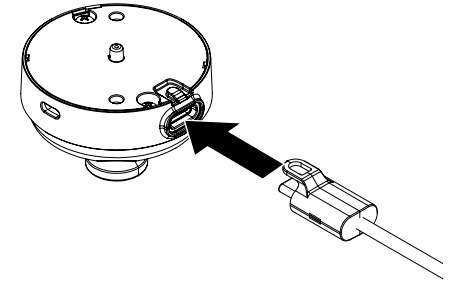
- 22 Beneath the counter, place the 2 provided washers over the studs and secure the stand to the recoiler with the 2 wingnuts. Tighten fully by hand. **Do NOT overtighten.**



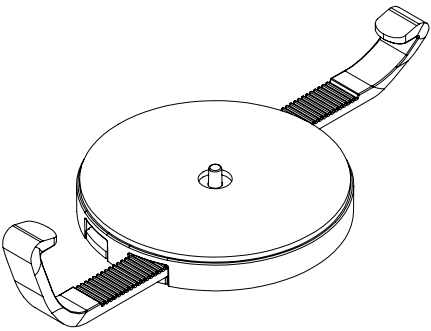
- 23 **Sensor Installation:** Wipe the back of device with the provided alcohol pad. **Let it dry completely.**



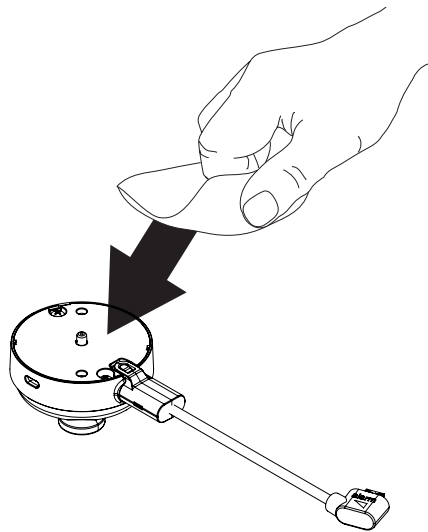
- 24 Plug the power connector into the sensor.



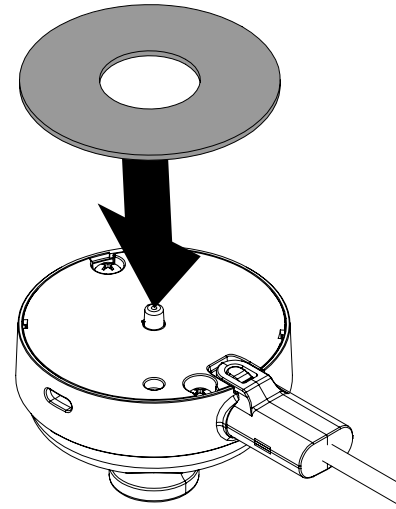
- 25 **Optional:** If bracket arms will be used in this installation, please see those instructions now.



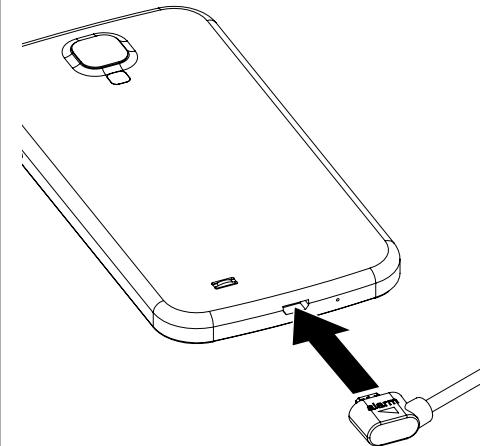
- 26 Wipe the flat surface of the sensor with the provided alcohol pad. **Let it dry completely.**



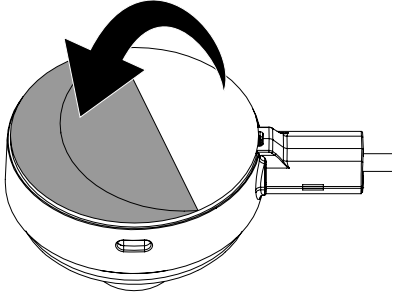
- 27 Remove the adhesive from the paper backing and place it onto the sensor. Apply pressure for at least 10 seconds.



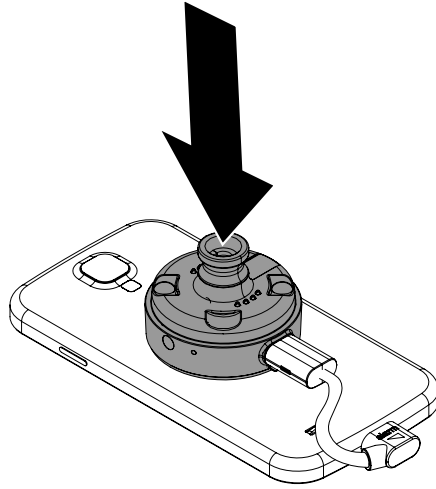
- 28 Plug the power connector into the device.



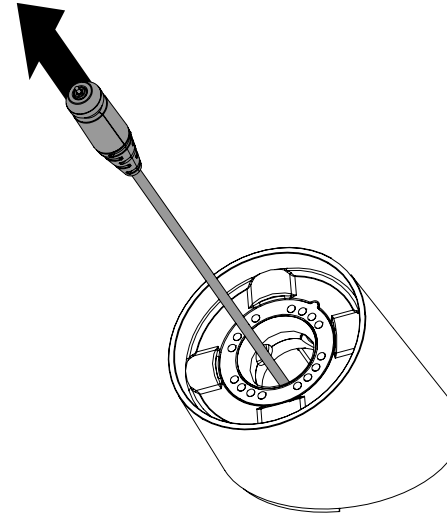
29 Peel the clear film from the adhesive on the sensor.



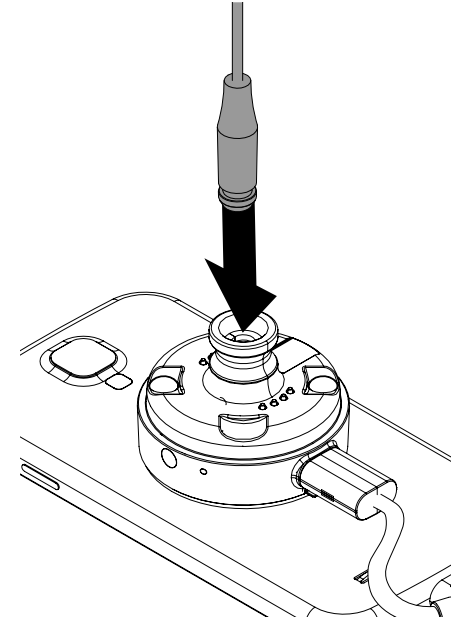
30 Center the sensor on the back of the device and apply pressure for at least 10 seconds.



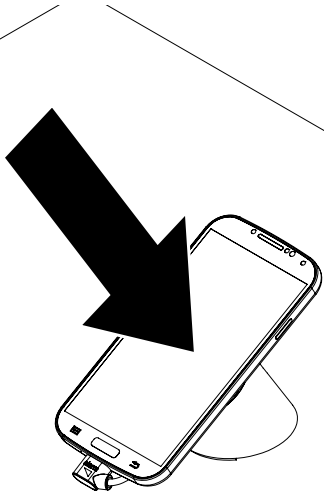
31 **Attaching the Sensor to the Stand:**
Pull the sensor cable from the stand.



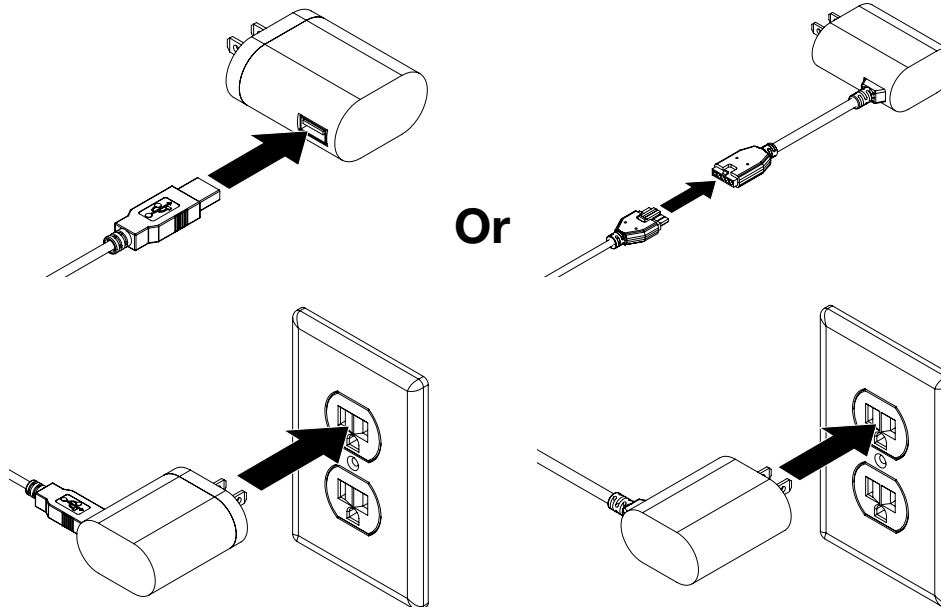
32 Plug the sensor cable into the sensor. The sensor will click when the cable is inserted properly.



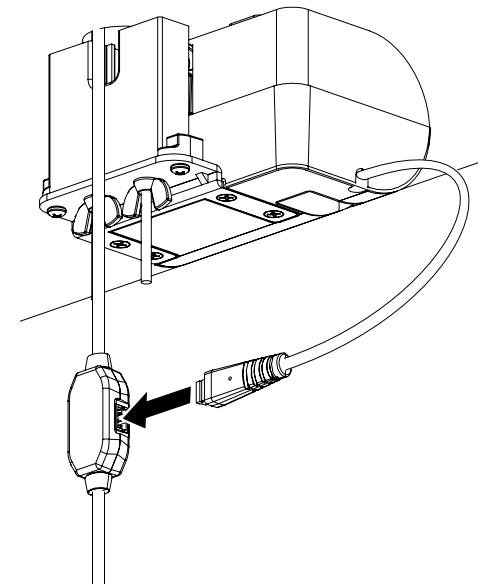
33 Place the sensor and device onto the stand.



34 Plug the power cable from the stand into the power supply. Plug the power supply into a power outlet.



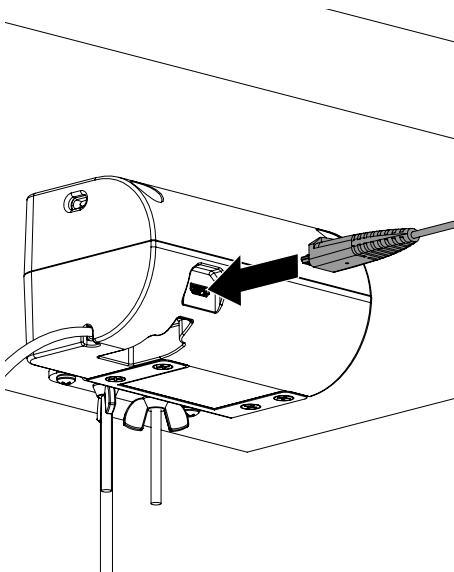
35 If present on the stand and using a connected recoiler, plug the cable from the recoiler into the port on the cable.



36

Optional:

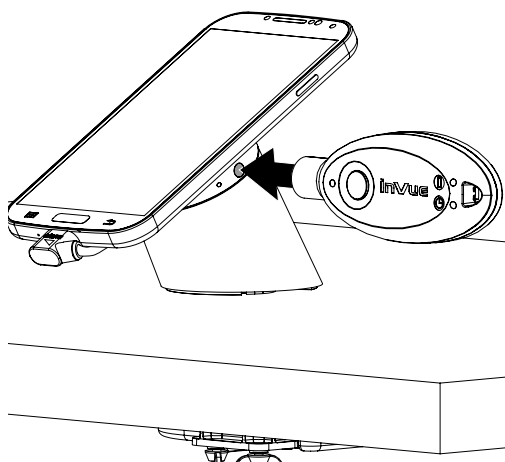
A power/alarm auxilliary sensor can be plugged into the micro-USB port on the back of the recoiler.



1

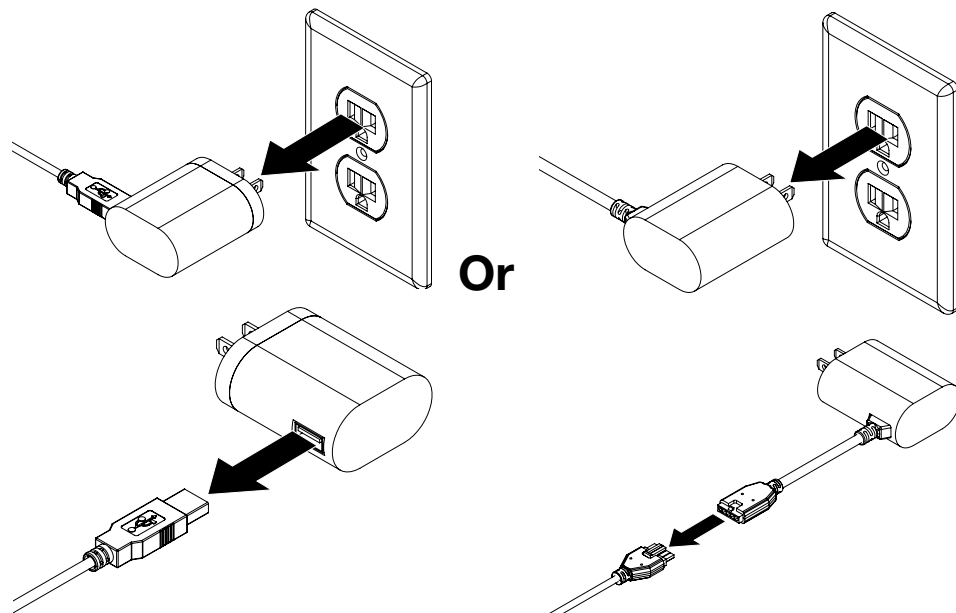
Removal:

Deactivate the stand by placing a charged and coded IR key against the IR lens on the side of the sensor and pressing the button. The stand will chirp to confirm.



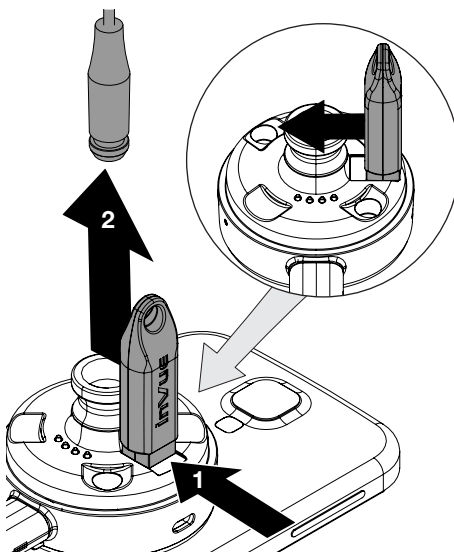
2

Unplug the power supply from the wall and disconnect the power supply from the stand's power cable.



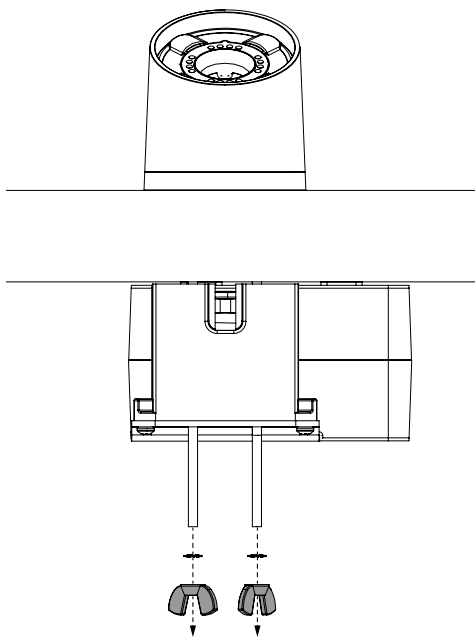
3

Remove the sensor and device from the stand. Place the magnet key (DBG400 or DBG406) into the depression on the sensor and push it inward to release the sensor cable. Pull the cable free.



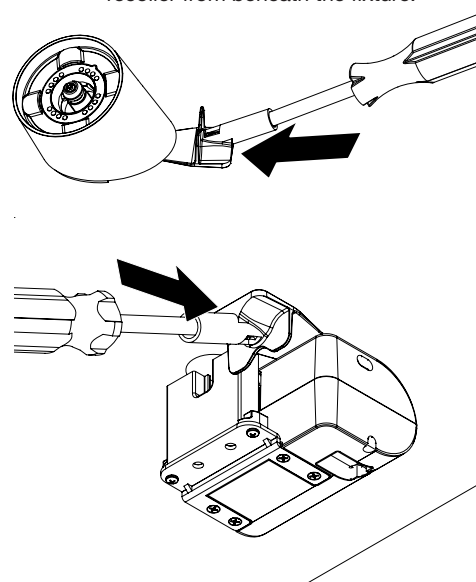
4

Remove the wingnuts from the studs.



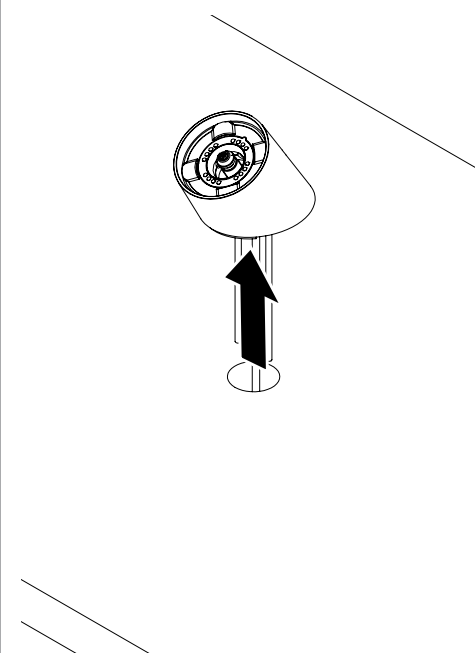
5

Use the scraper removal attachment (DNTX93) to break the adhesive bond between the stand and the surface. Use the scraper to remove the recoiler from beneath the fixture.

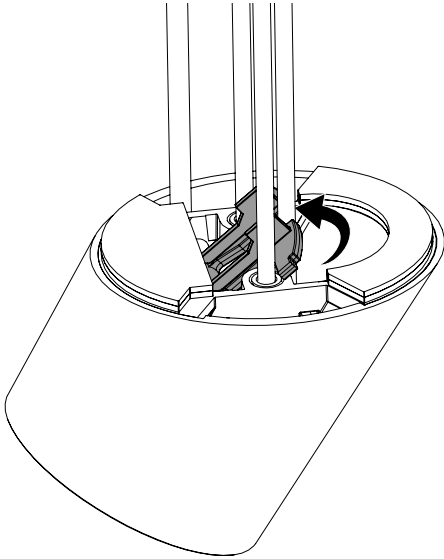


6

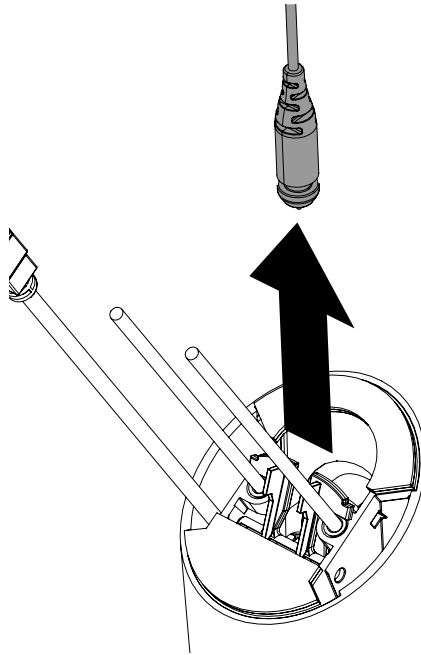
Lift stand free from fixture.



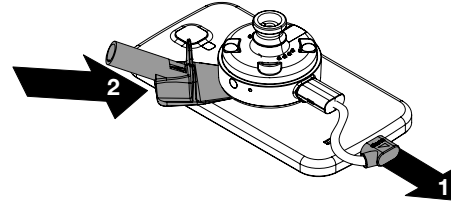
- 7 Remove the sensor cable from the stand by lifting the cable catch.



- 8 Pull the sensor cable free.



- 9 To remove sensor from device:
1. Unplug alarm/power connector from device.
2. Use the scraper removal attachment (DNTX93) to break the adhesive bond between the sensor and the device.



SD0574 Rev3 03/20/19

inVUE

www.invue.com

NA / LATAM // 704.752.6513 • 888.55.INVUE

EMEA // +31.23.8900150

APAC // +852.3127.6811