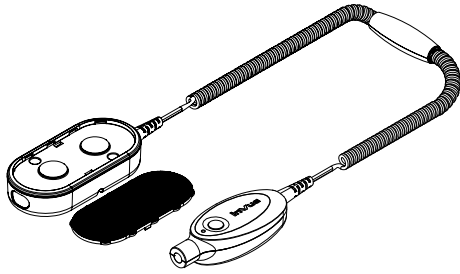
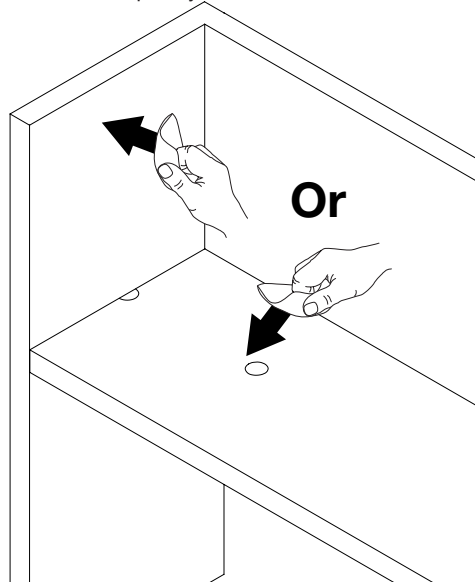


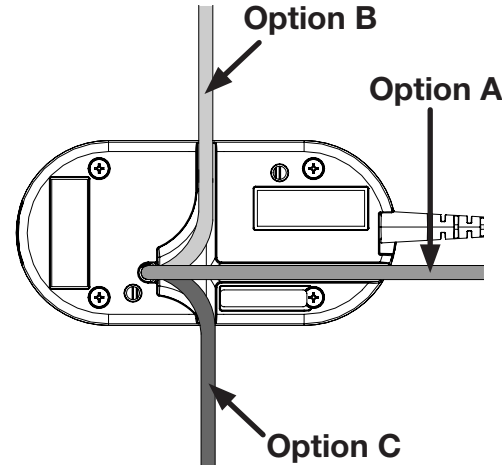
OneKEY Counter Detacher AKD40



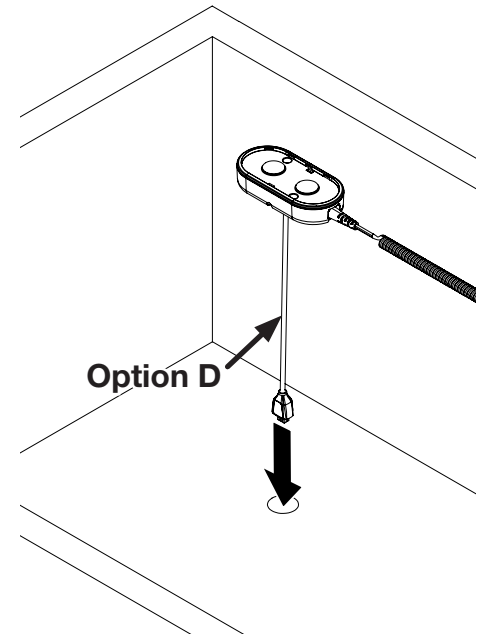
1 Use the provided alcohol wipe to clean the area where the Detacher will be placed, either on a horizontal or vertical surface. Allow it to dry completely.



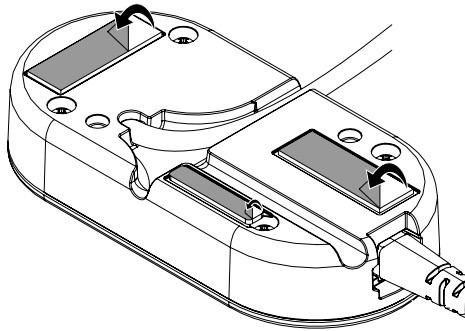
2a Decide how the power cable will be routed. There are 4 options; the power cable can be routed out from the back of the base (Option A), out either side of the base (Options B or C) or the power cable can be routed straight down through the fixture (Option D shown in the next step).



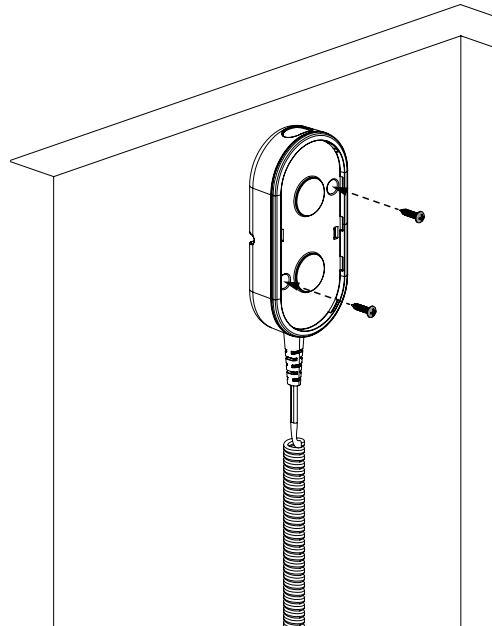
2b If mounting the base over a hole, the power cable can be routed straight down through the fixture.



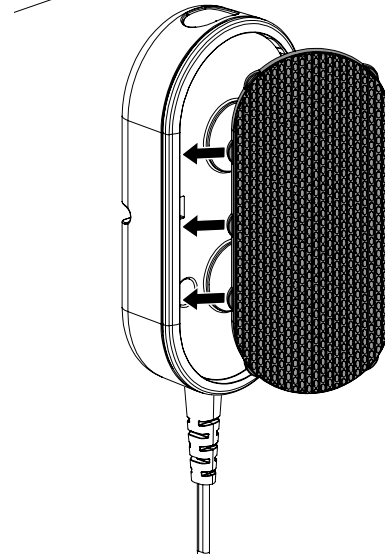
3a **Screw Mount (Optional):**
Peel the clear film from the 3 adhesives on the bottom of the base.



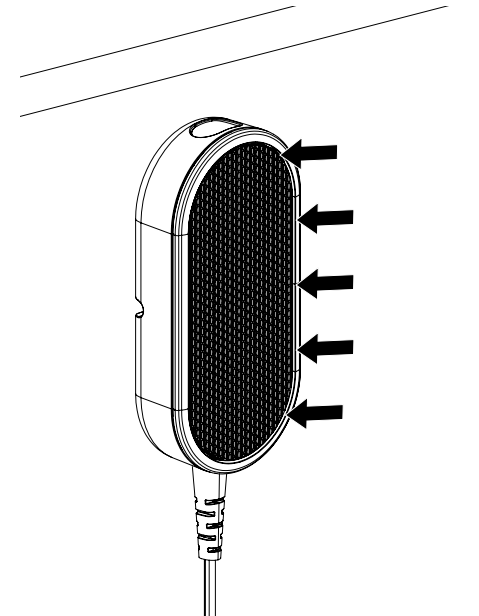
3b Place the base in the desired location and use the 2 provided screws to secure the base to the fixture.



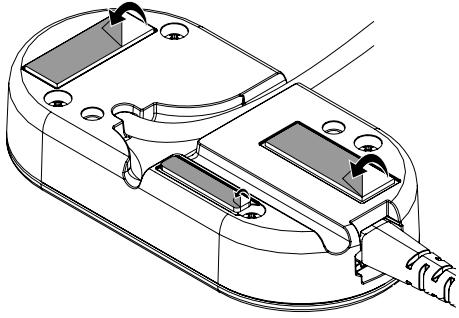
3c Insert one side of the pad into the rim of the base. The tabs on the pad will fit into the slots on the inner rim of the base.



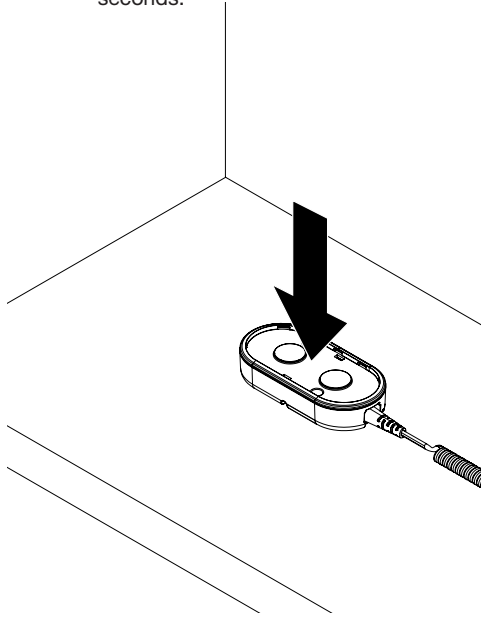
3d Apply pressure around the edge of the pad to fully secure the pad in the rim of the base.



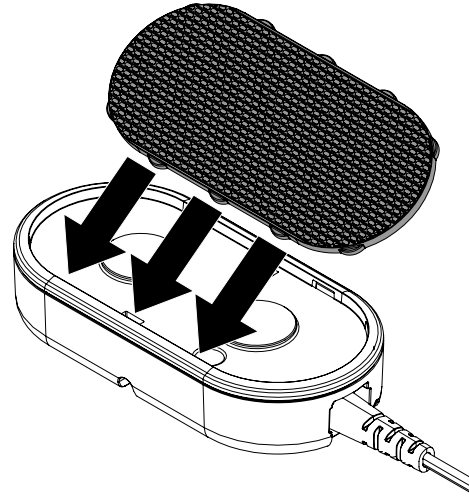
4a **Adhesive Mount:** Peel the clear film from the 3 adhesives on the bottom of the base



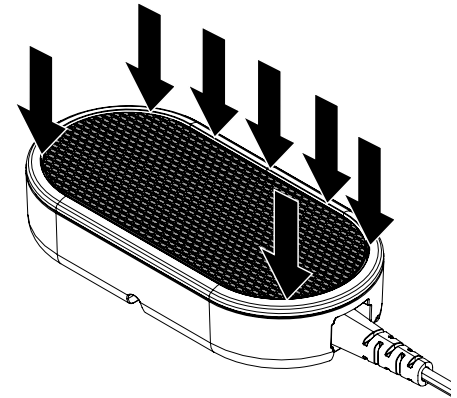
4b Place the base in the desired location (either on a horizontal or vertical surface) and apply pressure for at least 10 seconds.



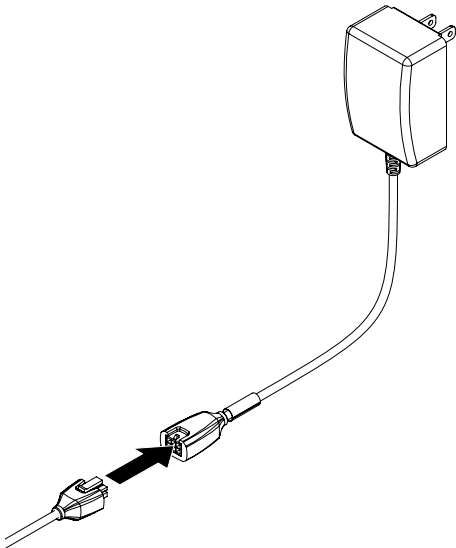
4c Insert one side of the pad into the rim of the base. The tabs on the pad will fit into the slots on the inner rim of the base.



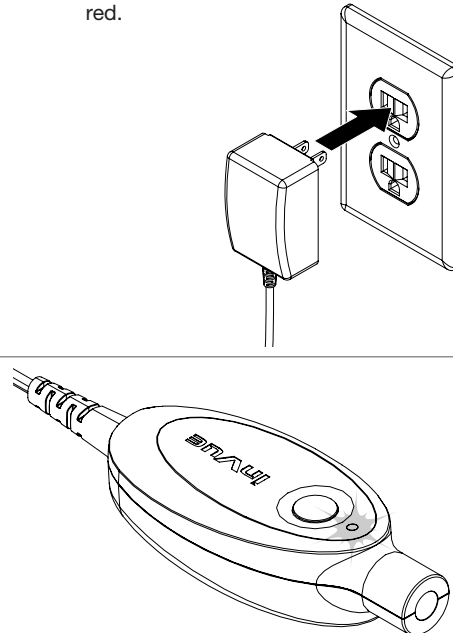
4d Apply pressure around the edge of the pad to fully secure the pad in the rim of the base.



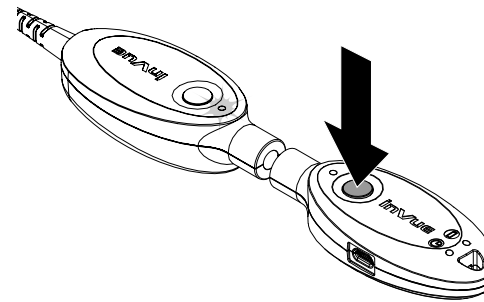
5 Plug the Detacher's power cable into the PS18V power supply.



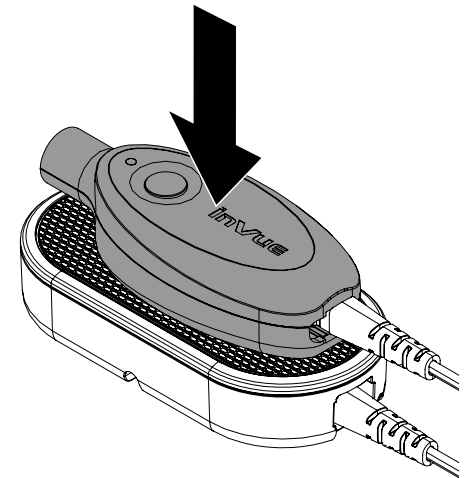
6 Plug the power supply into a power outlet. The LED on the key will be red.



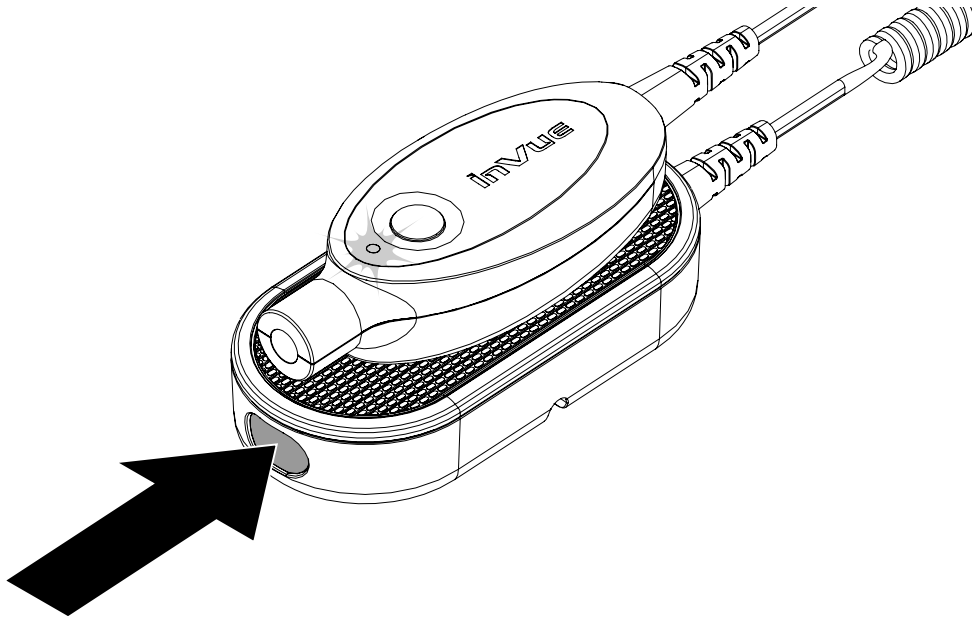
7 To activate the Detacher, hold a charged and coded OneKEY close to the nose of the Detacher key. Press the button on the OneKEY. The LED on the Detacher key will turn blue when successfully coded.



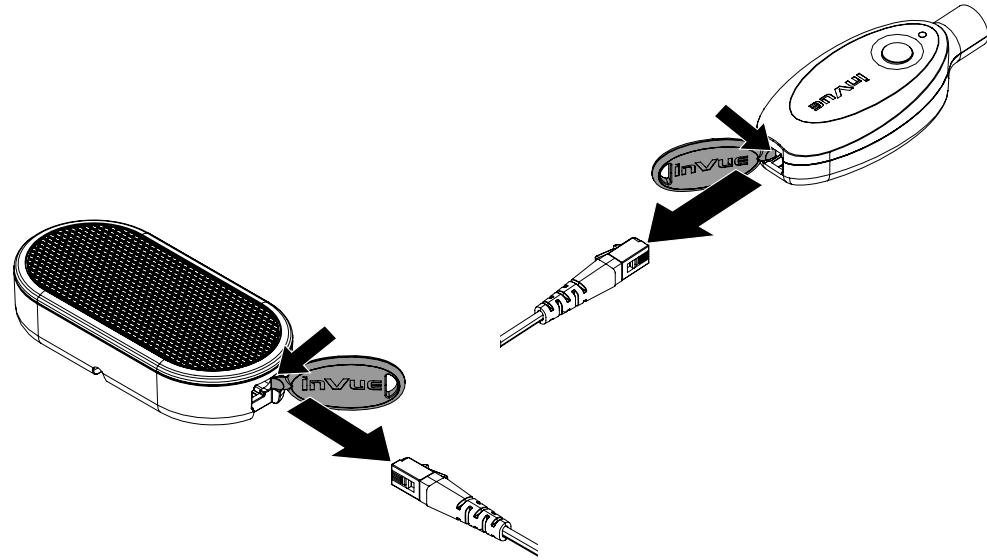
8 Place the Detacher key onto the base.



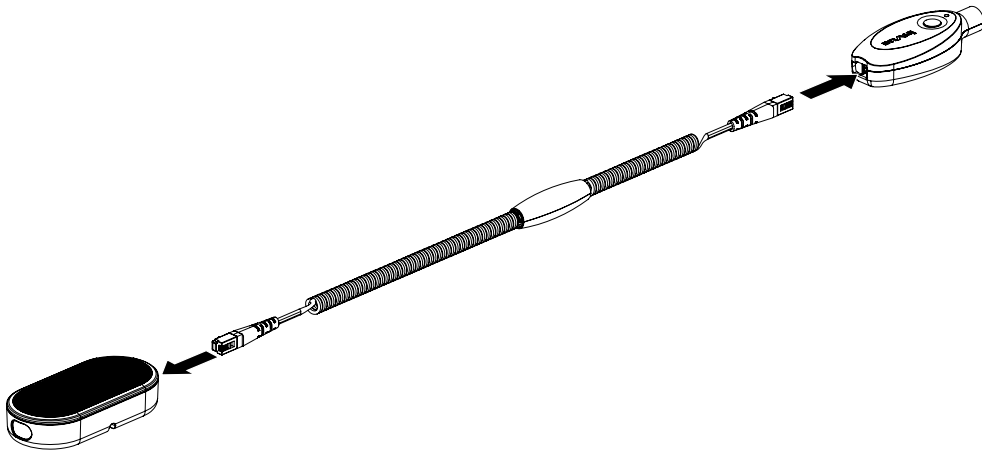
- 9 To manually deactivate the Detacher before the 12 hour timeout, hold the button on the base for 5 seconds. The LED on the key will turn red.



- 10a **Cable Replacement:**
Use a key fob tool to press in the tabs to release the cable from both the base and the key.



- 10b Plug the new cable into the base and key.



SD0666 Rev3 05/23/19

INVUE

Perfectly connecting people and
tablets in the workplace.™

www.invue.com

NA / LATAM // 704.752.6513 • 888.55.INVUE

EMEA // +31.23.8900150

APAC // +852.3127.6811