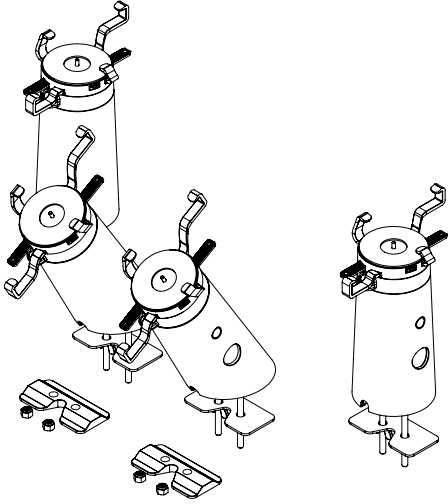
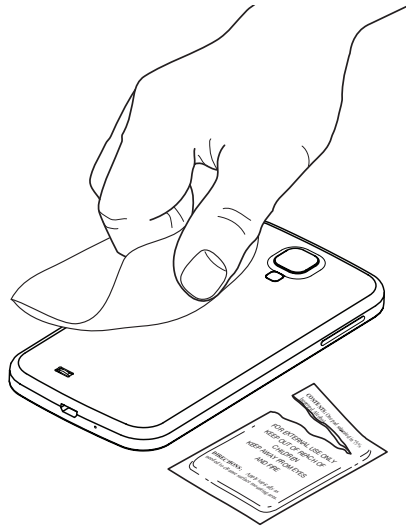


One90 & One90QR

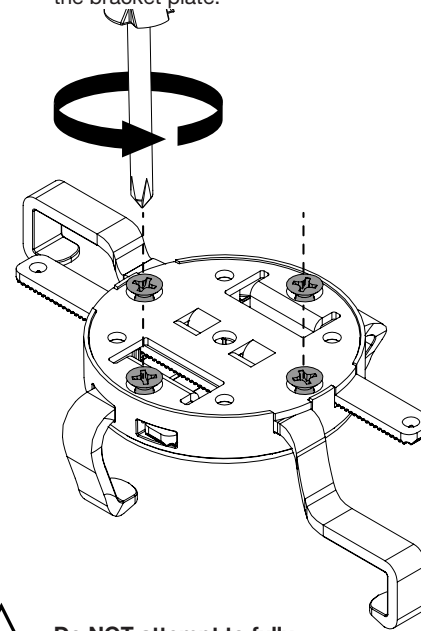
Angled and Flat Stands, Sensors & Security Arm Plates



- 1** Wipe the back of device with the provided alcohol pad. **Let it dry completely.**

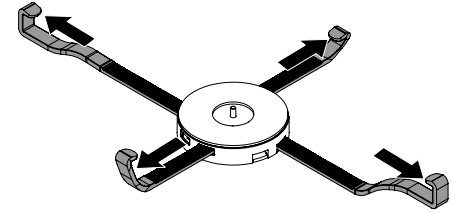


- 2** Loosen the 4 screws in the bottom of the bracket plate.

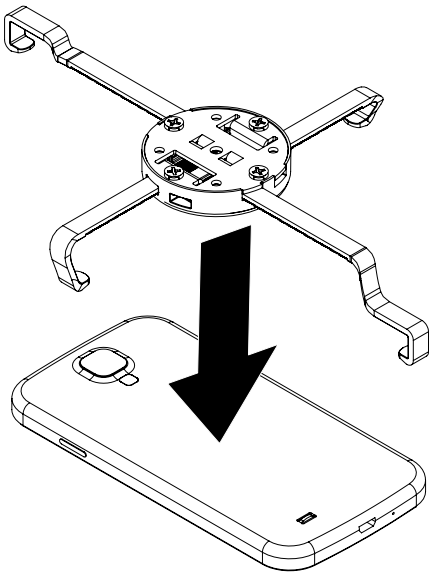


Do NOT attempt to fully remove the screws.

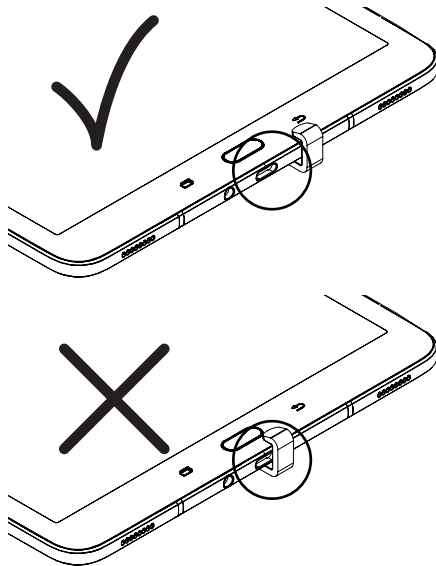
- 3** Slide the arms out from the bracket plate just far enough to accommodate the device.



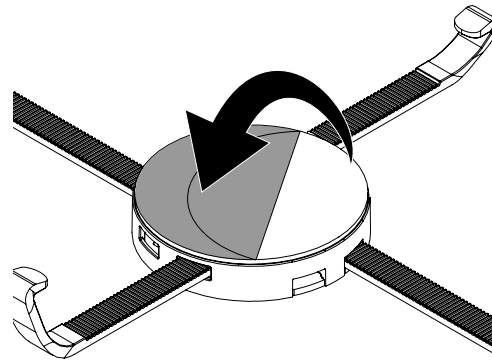
- 4a** Before peeling the adhesive, center the bracket plate onto the back of the device to ensure that the arms will not interfere with any buttons or features on the device.



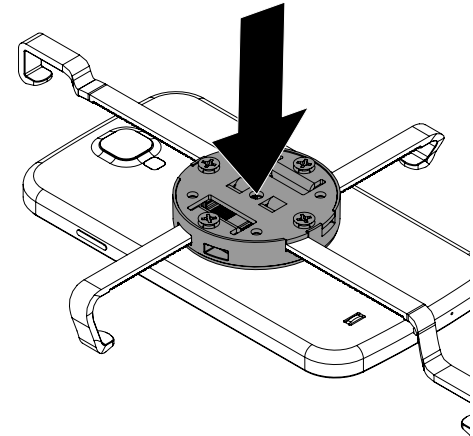
- 4b Optional:** The longer arms may need to be switched to prevent interference with buttons, power ports or other features.



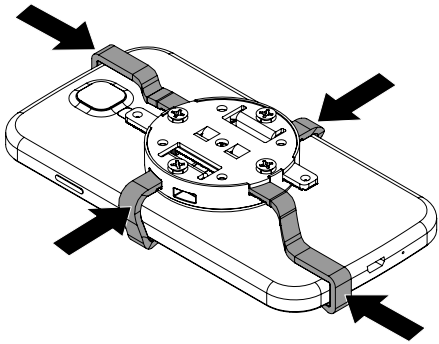
- 5** Remove the bracket plate from the phone and peel the clear film from the adhesive.



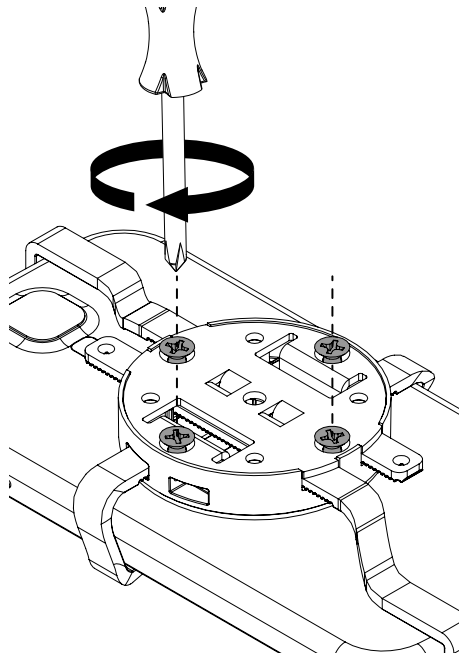
- 6** Place the bracket plate into the position determined in Step 4 and apply pressure for at least 10 seconds.



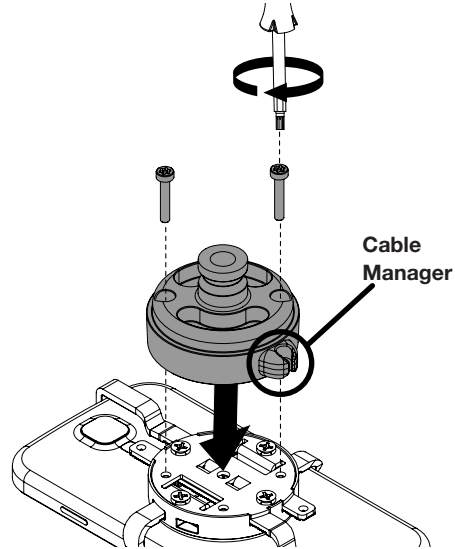
7 Slide the arms around the device.



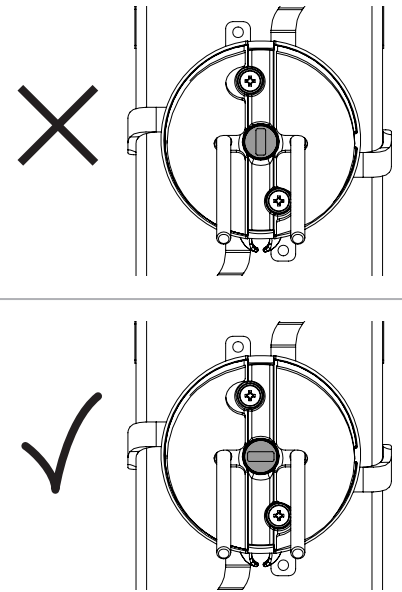
8 Tighten the 4 screws in the bottom of the bracket plate.



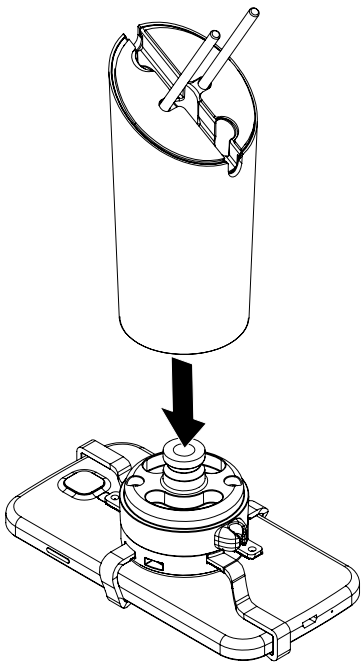
9 Orient the sensor so that the cable manager is facing towards the bottom of the device. Place the sensor onto the bracket plate and secure with the 2 screws. **Do not overtighten.**



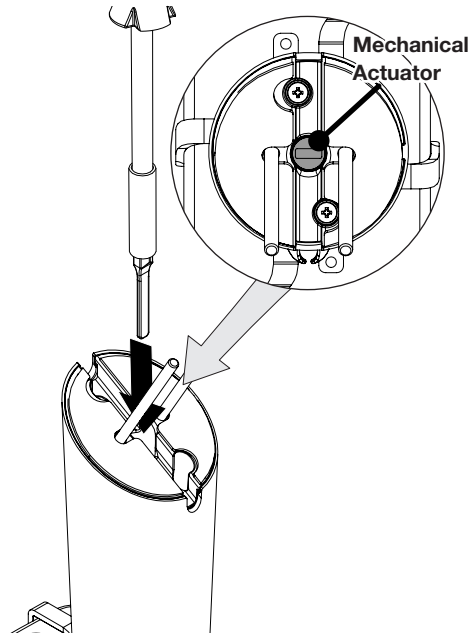
10 **Mechanical Version:** Make sure the stand is unlocked by checking the mechanical actuator in the bottom of the stand.



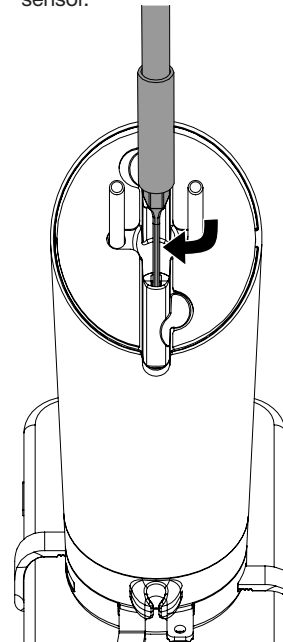
11 Place the stand onto the sensor.



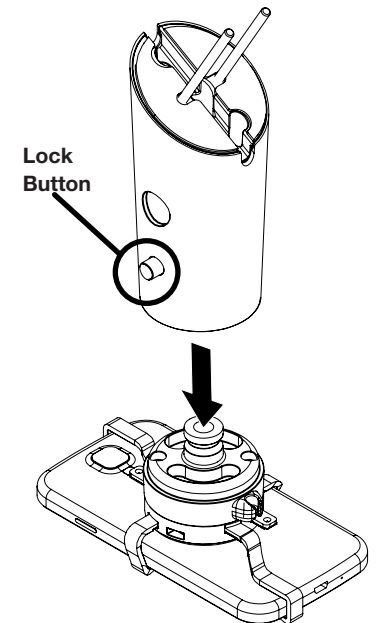
12a Insert the sensor removal bit (in the multitool) into the mechanical actuator inside the stand.



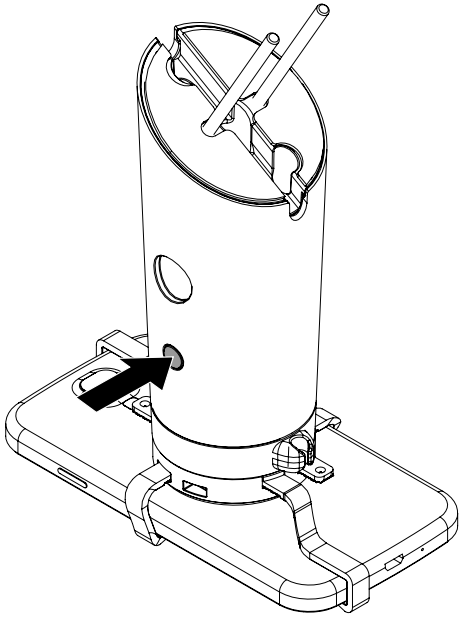
12b Turn the multitool 90 degrees clockwise to lock the stand to the sensor.



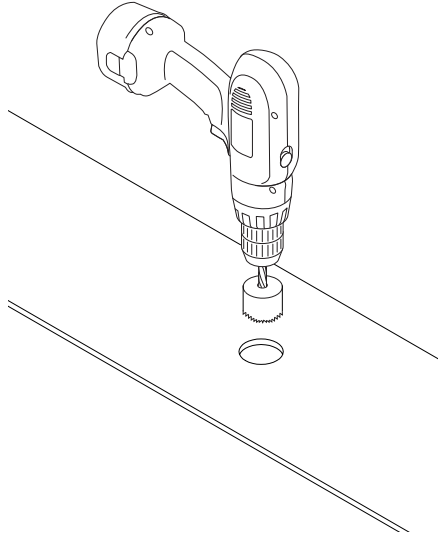
13a **Quick Release (QR) Version:** Make sure the lock button is out and place the stand onto the sensor.



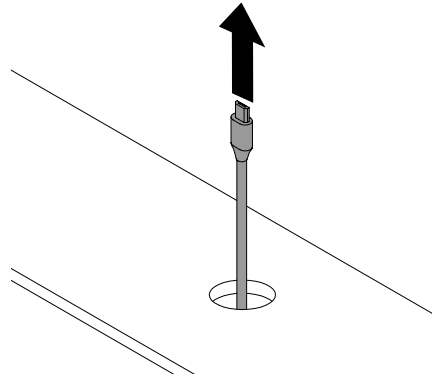
13b Push the lock button in to secure the sensor and device to the stand.



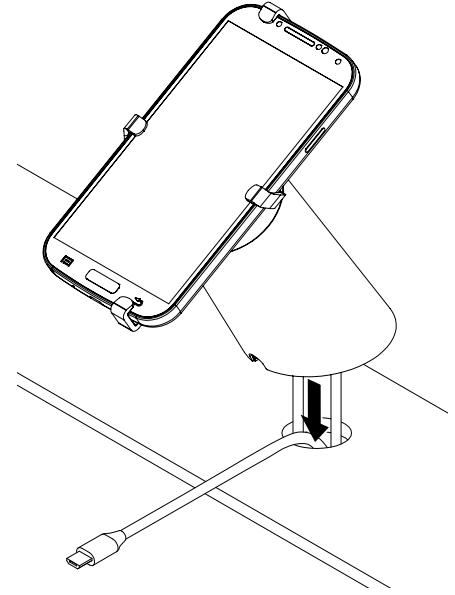
14 Drill a 1 inch (25mm) hole in the fixture.



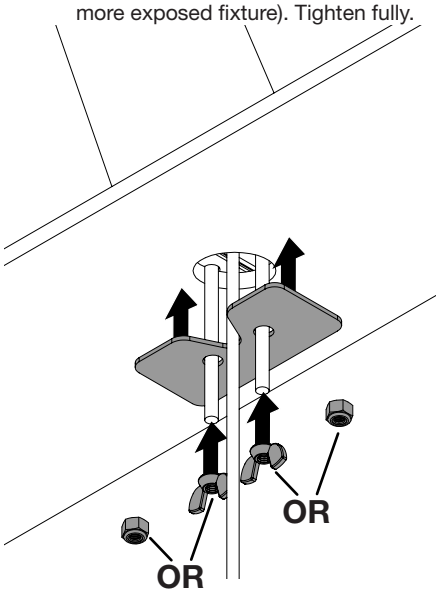
15 Route the OEM charging cable up through the hole in the fixture.



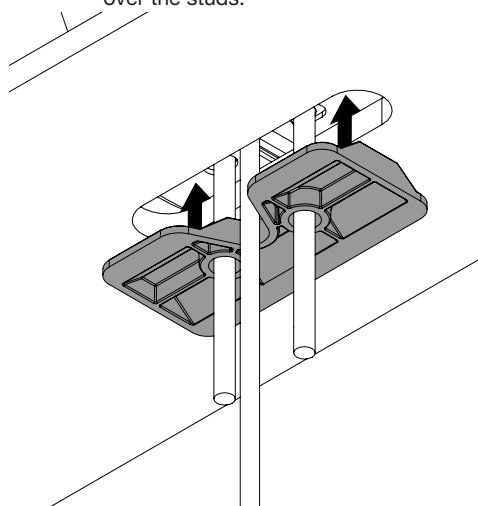
16 Place the stand over the hole in the fixture so that the OEM charging cable routes into the channel on the bottom of the stand.



17 From beneath the fixture, place the metal plate over the studs and secure in place with the 2 wingnuts (or the optional lock nuts if installing on a more exposed fixture). Tighten fully.

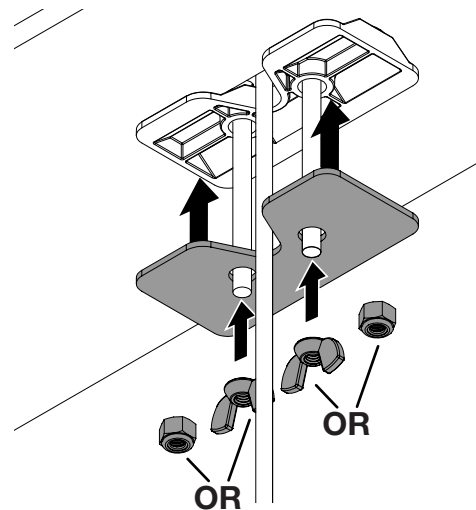


18a Optional:
If mounting the stand over a slot in the fixture, place the slot mount adapter over the studs.

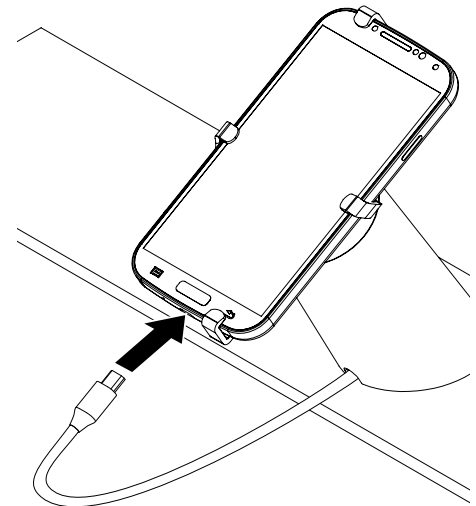


Do NOT use the slot mount adapter on a fixture without a slot.

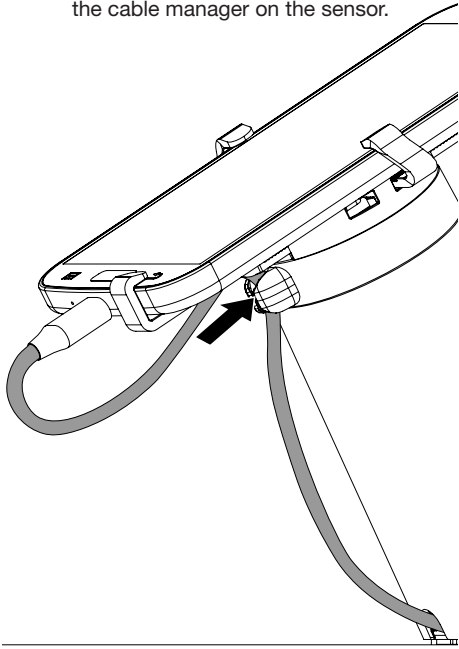
18b Optional:
Place the metal plate beneath the adapter and secure in place with the 2 wingnuts (or the optional lock nuts if installing on a more exposed fixture). Tighten fully.



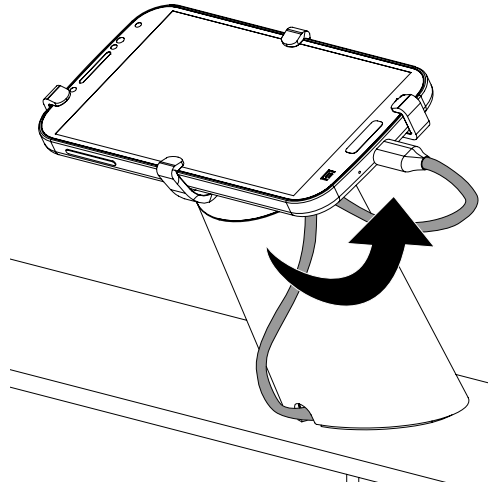
19 Plug the OEM charging cable into the device.



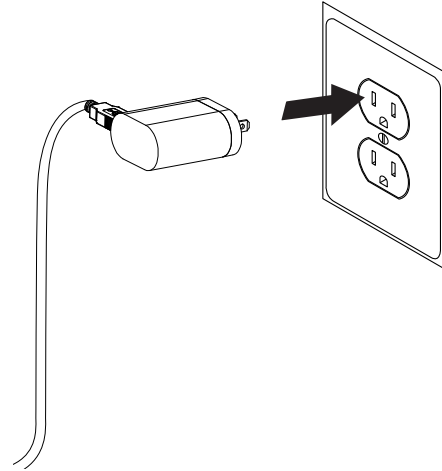
- 20 **Optional:**
Route the OEM charging cable into the cable manager on the sensor.



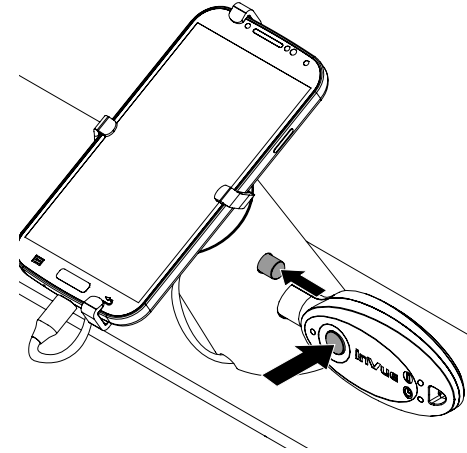
- 21 Rotate the device and sensor 90 degrees to make sure that there is enough cable to allow changes in orientation. Adjust the cable as necessary.



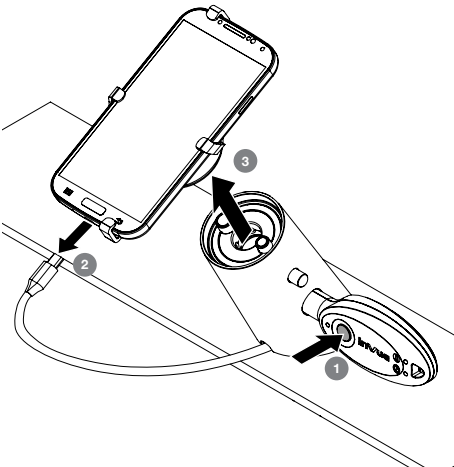
- 22 Plug the OEM charger into a power outlet.



- 23 **QR Version:**
The Quick Release version of the stand will need to be coded by placing a charged and coded IR3 key against the lens on the side of the stand and pressing the button. This will cause the lock button on the stand to pop out, be sure to press the lock button in to secure the device.



- 24 Placing the IR3 key against the lens and pressing the button again will release the sensor assembly from the stand and cause the lock button to pop out. Be sure to unplug the device before removing it from the stand.



SD0558 Rev2 08/16/18

inVUE

www.invue.com

NA / LATAM // 704.752.6513 • 888.55.INVUE

EMEA // +31.23.8900150

APAC // +852.3127.6811