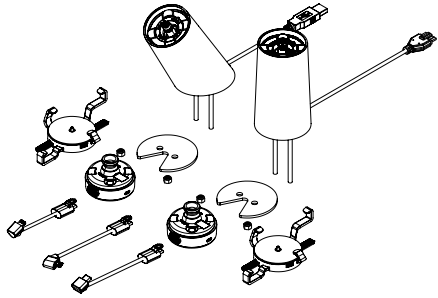
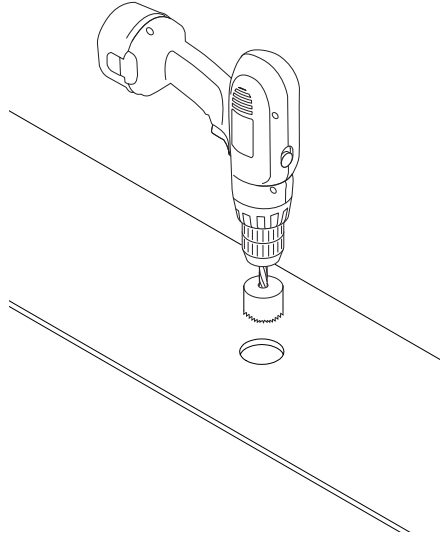


## One60HS

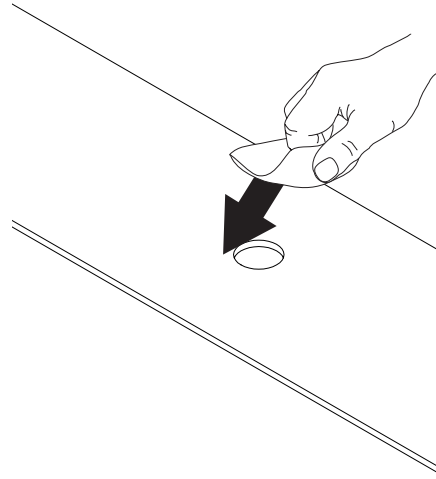
Angled and Flat Stands and Sensors



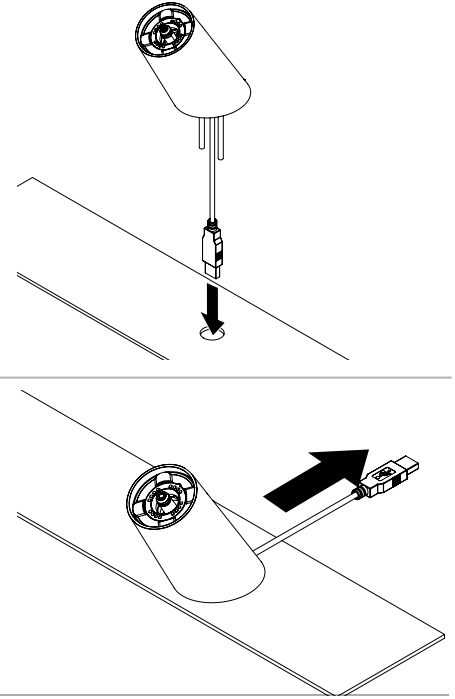
- 1 Stand Installation:**  
Drill a 1 inch (25mm) hole in the fixture.



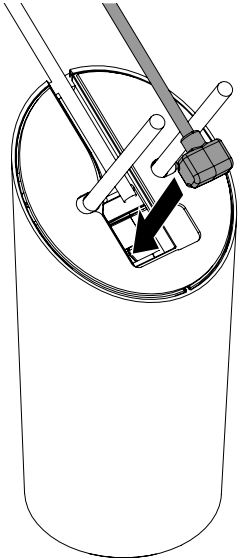
- 2** Wipe fixture with alcohol pad.  
**Let fixture dry completely.**



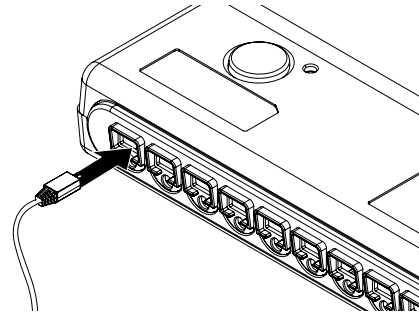
- 3** Determine whether power cable will route through hole or above fixture.



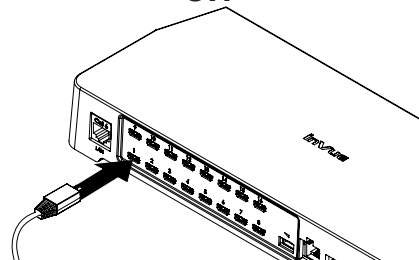
- 4a Optional:**  
**If using a DIB or smart hub:**  
If present, plug the corresponding data cable into the port in the bottom of the stand.



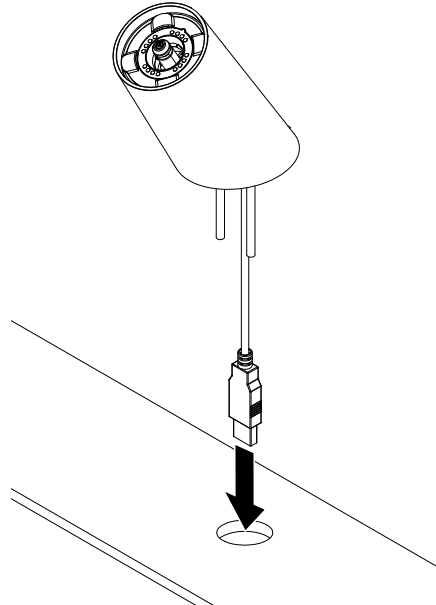
- 4b If using a DIB or smart hub:**  
Plug the cable into the DIB box or smart hub.



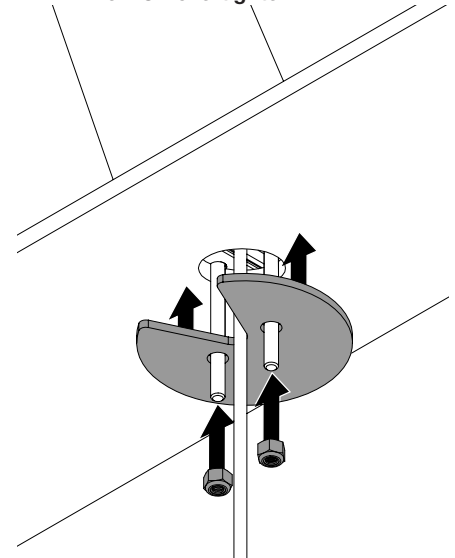
OR



- 5** Place the stand over the hole in the fixture so that the studs will descend through it.



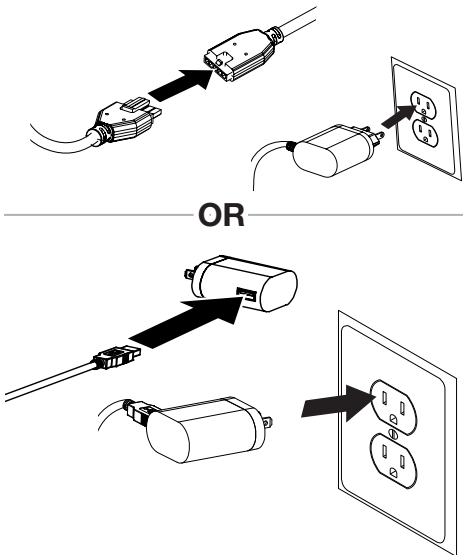
- 6** From beneath the fixture, place the metal plate over the studs and secure in place with the 2 lock nuts. Tighten fully using a 7mm deepwell socket. **Do NOT overtighten.**



7



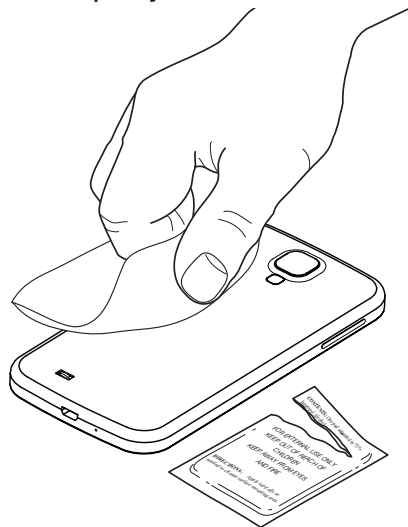
**Be sure power is applied in this order.** Plug the power cable into the power supply. Plug the power supply into the wall. The stand will chirp.



8

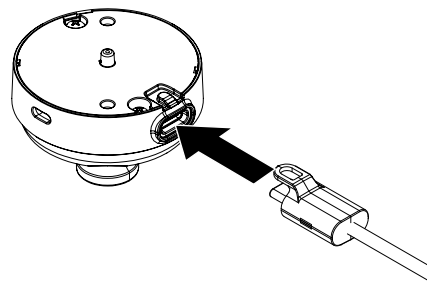
**Sensor Installation:**

Wipe the back of device with the provided alcohol pad. **Let it dry completely.**



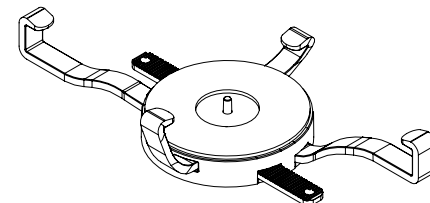
9

Plug the power connector into the sensor.



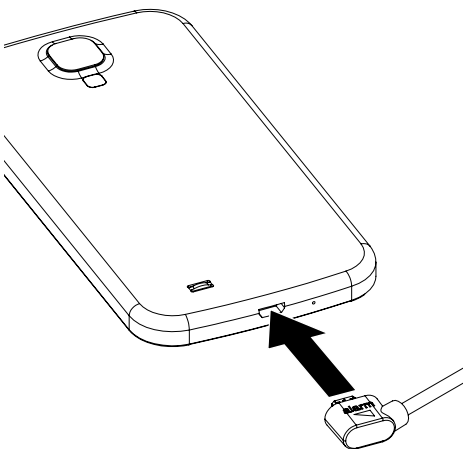
10

Please see the instructions for attaching the 4-arm bracket plate at this time.



11

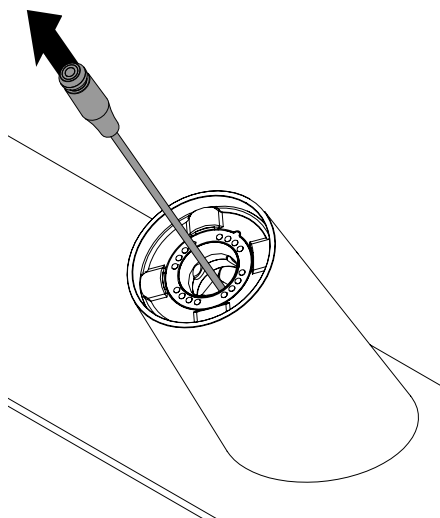
Plug the power connector into the device.



12

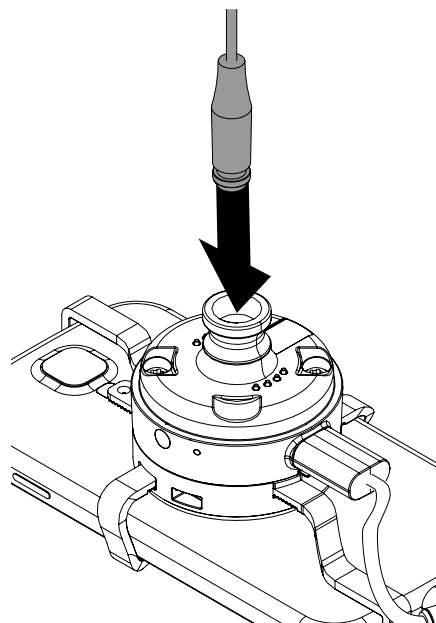
**Attaching the Sensor to the Stand:**

Pull the sensor cable from the stand.



13

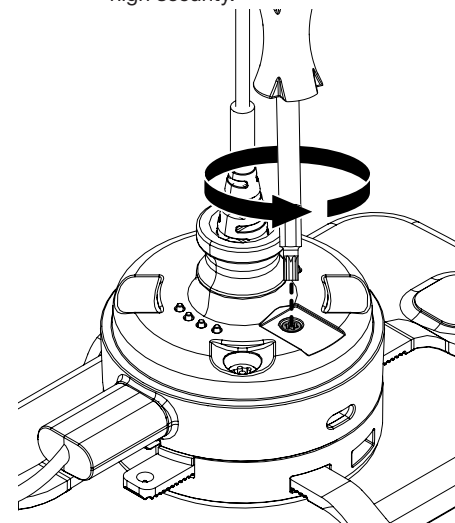
Plug the sensor cable into the sensor. The sensor will click when the cable is inserted properly.



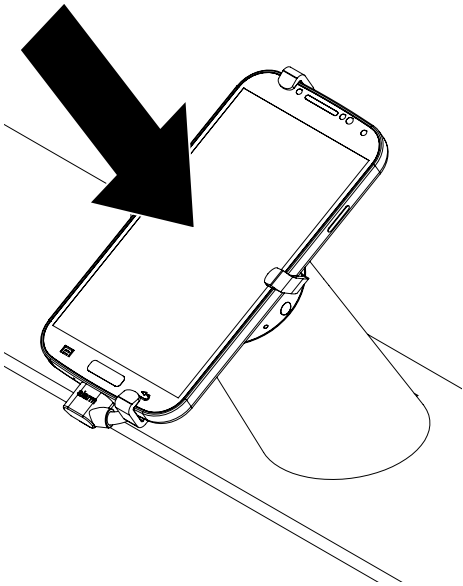
14

Turn the screw counterclockwise to raise it flush with the level of the flat area on the sensor.

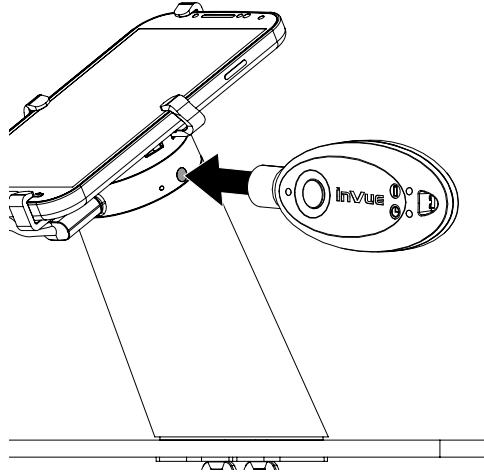
**Note:** Engaging the screw on the sensor to lock down the quick release feature is required to maintain high security.



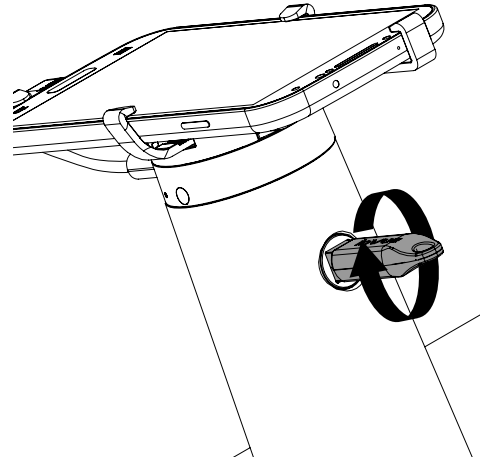
- 15 Place the sensor and device onto the stand.



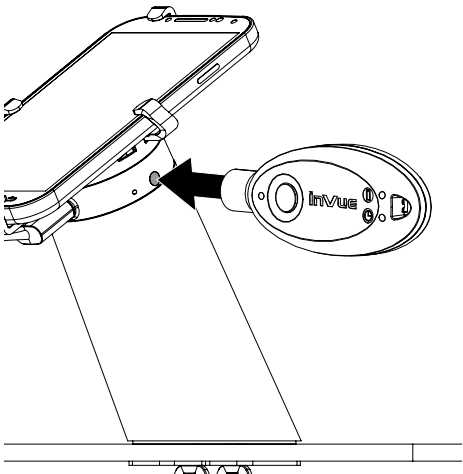
- 16 Place a charged and coded IR key against the lens on the side of the sensor. Press the button on the key to transfer the code to the stand and sensor. The stand will chirp.



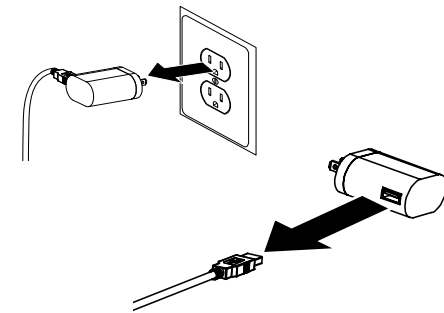
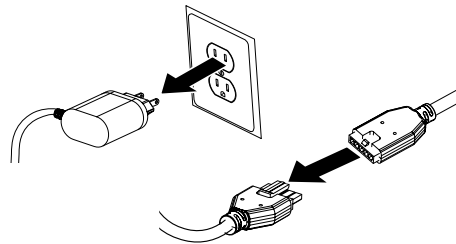
- 17 **Optional:** To secure the sensor to the stand and prevent the device from being lifted. Insert the magnet key (DBG400 or DBG406) into the depression on the back of the stand and turn it 1/4 turn clockwise. Turn the key counterclockwise to unlock the sensor.



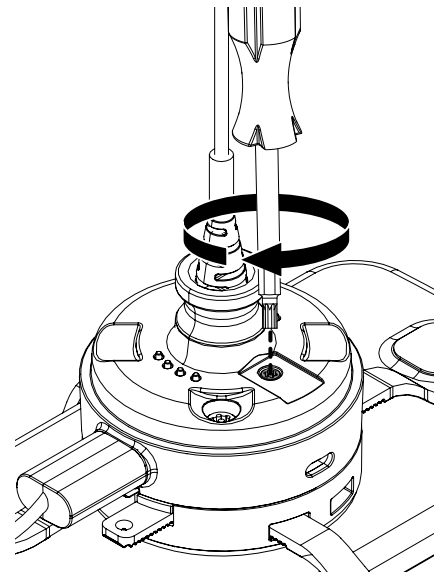
- 1 **Removal:** Deactivate the stand by placing a charged and coded IR key against the IR lens on the side of the sensor and pressing the button.



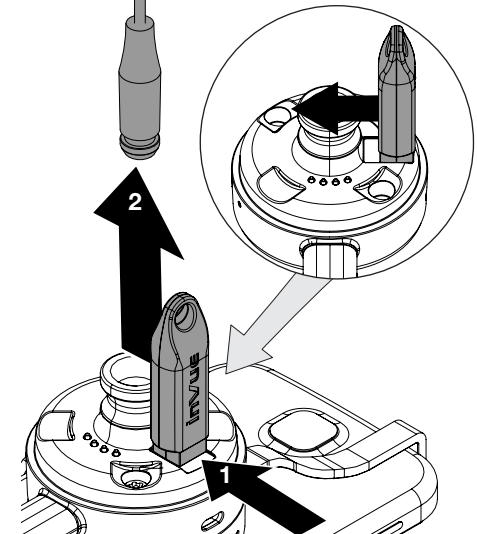
- 2 Unplug the power supply from the wall and disconnect the power supply from the stand's power cable.



- 3 Turn the screw clockwise to lower the screw below the level of the flat area on the sensor.

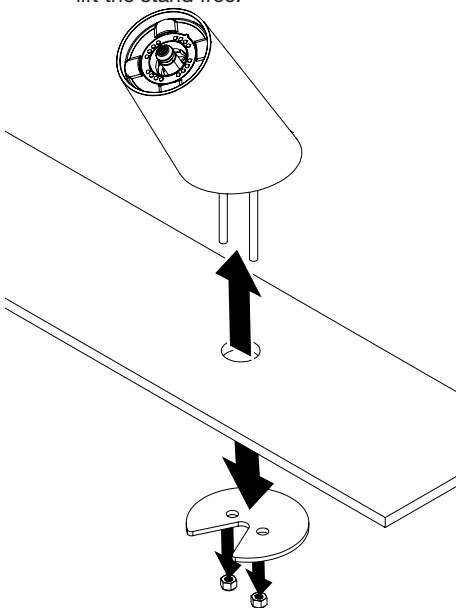


- 4 Remove the sensor and device from the stand. Place the magnet key (DBG400 or DBG406) into the depression on the sensor and push it inward to release the sensor cable. Pull the cable free.



5

Beneath the fixture, unscrew the wingnuts (or lock nuts, if used) from the studs, remove the metal plate (and slot mount adapter, if used), and lift the stand free.



6

To remove the arm bracket plate and sensor see the instructions included with the bracket plate.



SD0547 Rev5 11/21/18

**inVUE**

[www.invue.com](http://www.invue.com)

NA / LATAM // 704.752.6513 • 888.55.INVUE

EMEA // +31.23.8900150

APAC // +852.3127.6811

© 2018 InVue Security Products Inc. All rights reserved.  
InVue is a registered trademark of InVue Security Products.