

IR StopLok™

Cost effective security for today's premium accessories.



Now part of InVue's exclusive IR Ecosystem™, the new IR StopLok provides superior protection for high value accessories versus traditional magnetic and mechanical hooks. The external body is engineered to provide more stability and enhanced resistance against manual attacks. The IR StopLok allows retailers to select the number of "live" and "locked" merchandise items on the hook.

IR StopLok™

Features and benefits

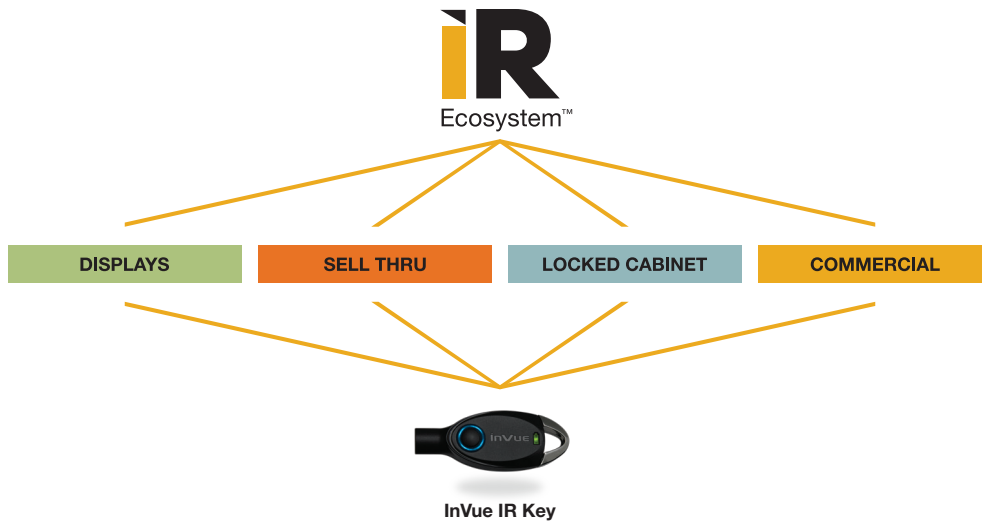
- 1 IR2 Key compatibility for fast access to merchandise to better serve the consumer
- 2 IR locking system provides superior security over magnetic or mechanical locks
- 3 IR2 Key times out after 12 hours, making a lost or stolen key useless
- 4 Engineered external body provides increased strength and enhanced resistance to manual attacks
- 5 Allows retailers to select the number of “live” and “locked” merchandise items on the hook



IR StopLok™

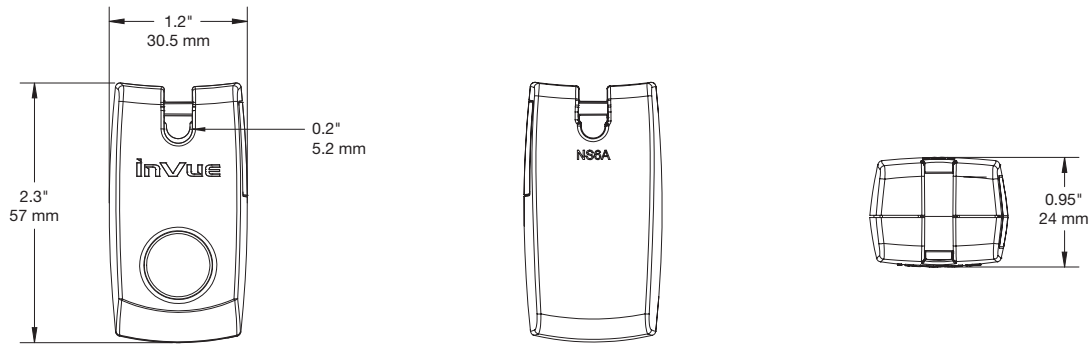
A storewide single key security system for all your high theft merchandise.

One key and four categories of tough security products provide you multiple, store-wide security solutions. The IR Ecosystem™ allows you to safely open display, and access, your high theft merchandise and ensures that store associates always have the right key at the right time.

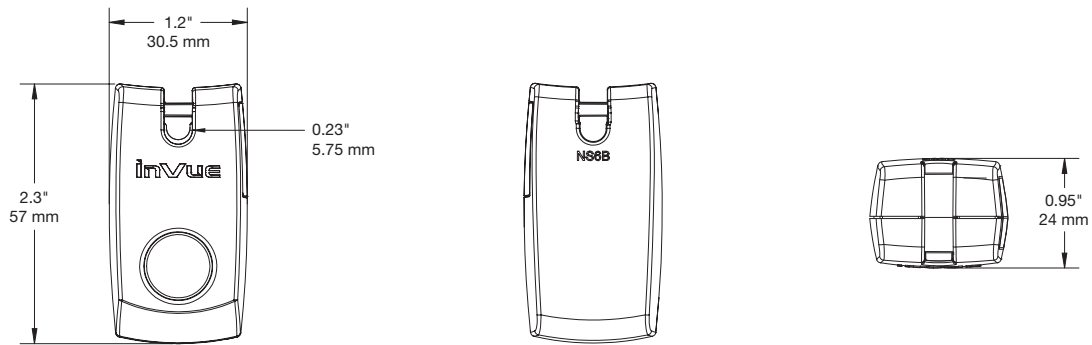


IR StopLok™

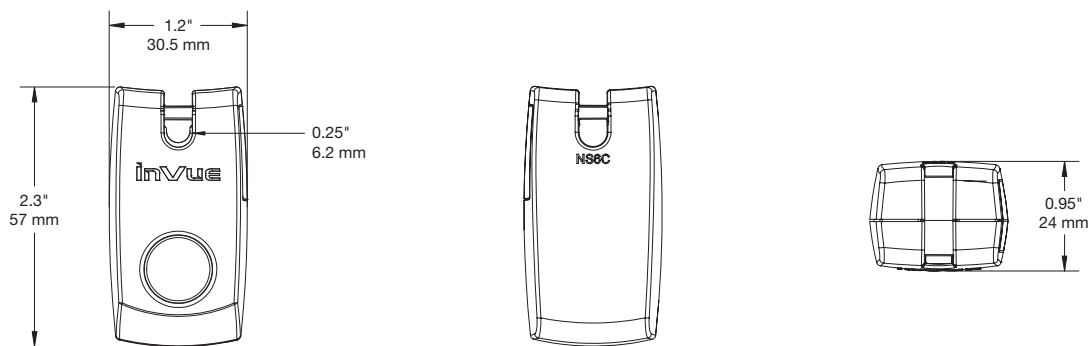
IR StopLok – 5.0mm (NS6A):



IR StopLok – 5.5mm (NS6B):

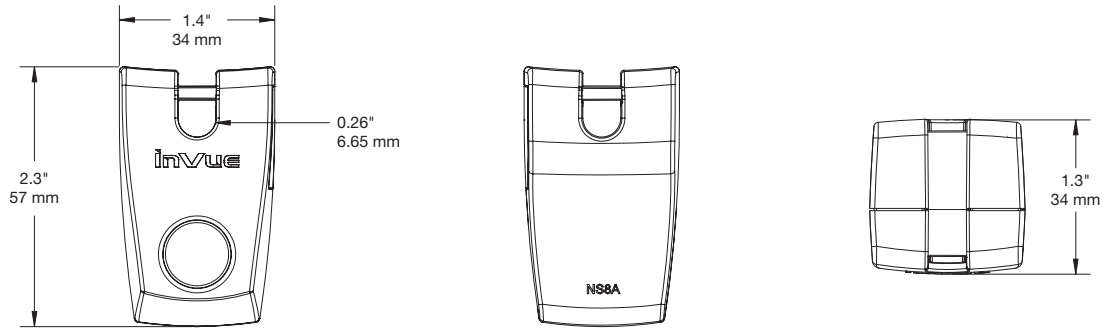


IR StopLok – 6.1mm (NS6C):

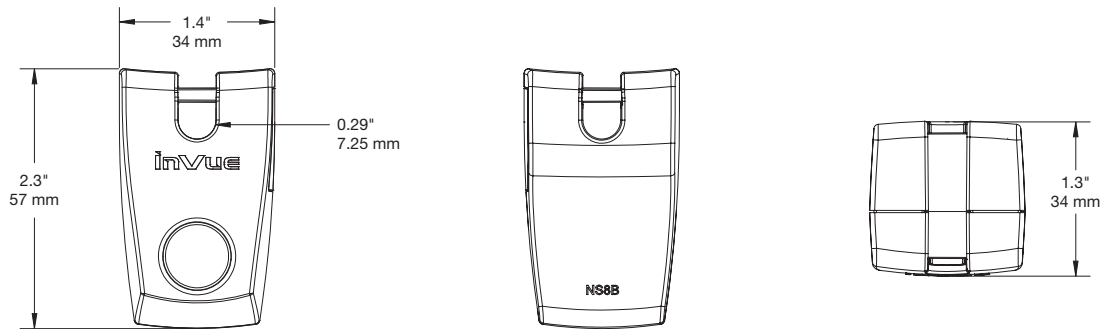


IR StopLok™

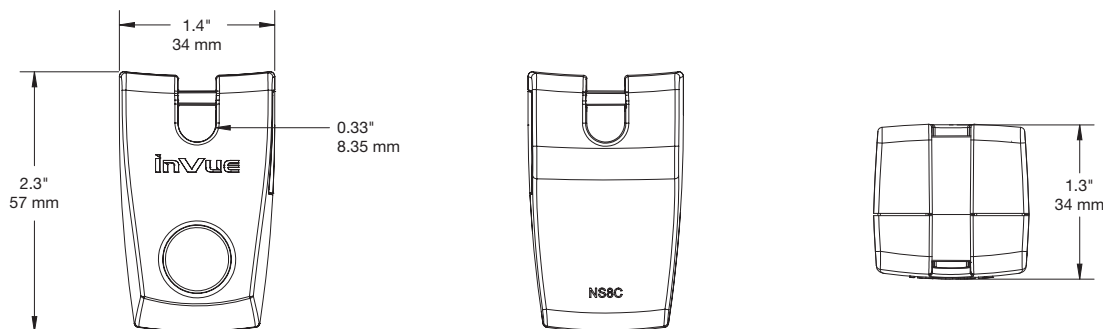
IR StopLok – 6.4mm (NS8A):



IR StopLok – 7.0mm (NS8B):



IR StopLok – 8.1mm (NS8C):



IR StopLok™

Product Ordering:

ORDER CODE	DESCRIPTION	CARTON QTY.
NS6A	IR StopLok - 5.0mm	25
NS6B	IR StopLok - 5.5mm	25
NS6C	IR StopLok - 6.1mm	25
NS8A	IR StopLok - 6.4mm	25
NS8B	IR StopLok - 7.0mm	25
NS8C	IR StopLok - 8.1mm	25

For ordering IR2 Keys, please reference the IR2 Key & IR2-S Key sell sheets

©2014 InVue Security Products. No endorsement of InVue products has been made by any of the manufacturers of the products shown. Product is sold pursuant to InVue's warranty which can be found at www.invuesecurity.com/english/warranty.html

NA / LATAM OFFICE *North Carolina* 704.752.6513 • 888.55.INVUE

EMEA OFFICE *The Netherlands* +31.23.8900150

APAC OFFICE *Hong Kong* +852.3127.6811

www.invuesecurity.com

inVUE®