

IR Ecosystem™ gets a powerful boost with the new IR3 key.



The new IR3 Key enhances the IR Ecosystem experience with:

- › Extended battery life and increased key lifespan
- › Integrated Micro-USB charging for a single key
- › A new 8-up capacity IR3 Key Charger
- › LED visual feedback for key authorization, battery life and programming time out
- › Works with all current InVue products
- › Enables InVue Access Manager

When the IR3 Key is paired with Access Manager it enables store zoning, key authorization and employee usage tracking. Employee use can be traced and reviewed making each employee accountable for their daily activity. Access Manager is the only system that helps you control external and internal theft! Access Manager works with all Smart Locks, Series 1060 and 1560 PODs, HS400 high security solution and the CT300 commercial tablet solution.

FEATURES AND BENEFITS

- 1 Works with all InVue current and future products — factory set in IR2 mode to operate with IR Programming Station makes it backwards compatible
- 2 The IR3 Key has been engineered to be a higher capacity key enabling a full battery charge during the entire authorized time and a longer overall lifespan
- 3 Economical 8-up IR3 Key Charger is easy to use and reduces cost of ownership
- 4 Built-in micro USB charging enables 8-up charging and single key charging with standard micro USB power supply
- 5 Intuitive LED visual feedback ensures proper key usage:
 - > Authorization
 - > Key time out
 - > Battery life
- 6 When paired with Access Manager:
 - > Allows the store to be zoned and set associate access to InVue devices
 - > Allows store management to audit every InVue device interaction and know exactly who, when and where
 - > Programmable key attributes via Access Manager tailor key timeout, sounder alert duration and volume



IR ECOSYSTEM™

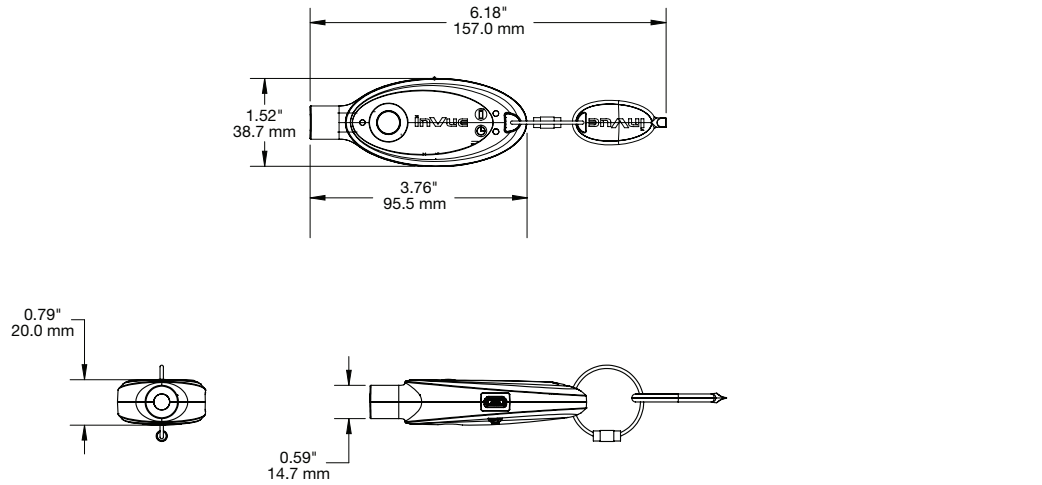
The IR3 Key is part of the exclusive InVue IR Ecosystem™, a storewide single key solution that improves customer service, increases sales and provides high theft protection.



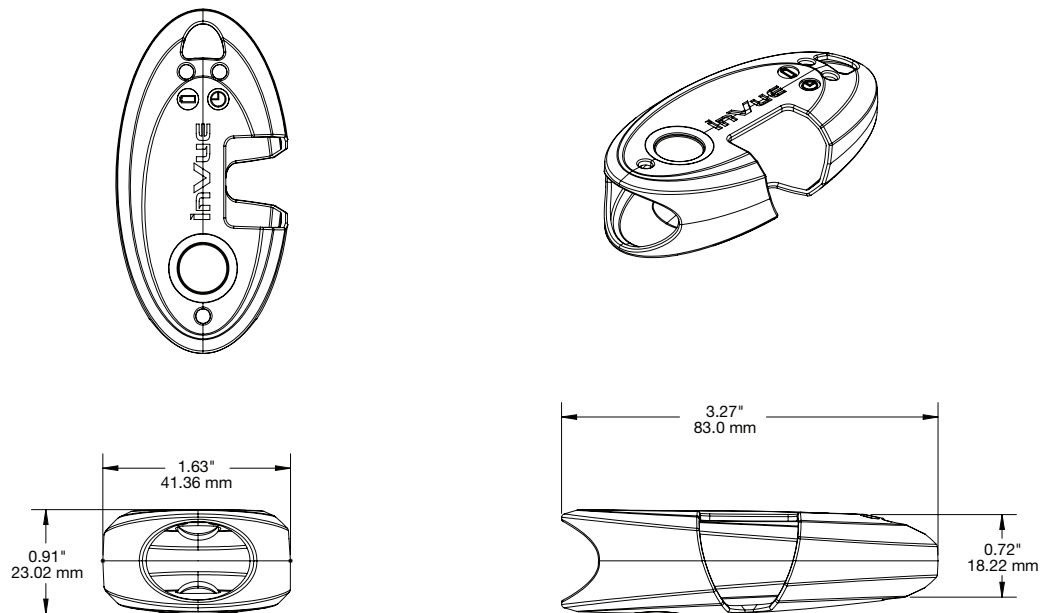
IR3 Key

SPECIFICATIONS

IR3 Key (AK4400) and IR3 Sounder Key (AK4400-S):

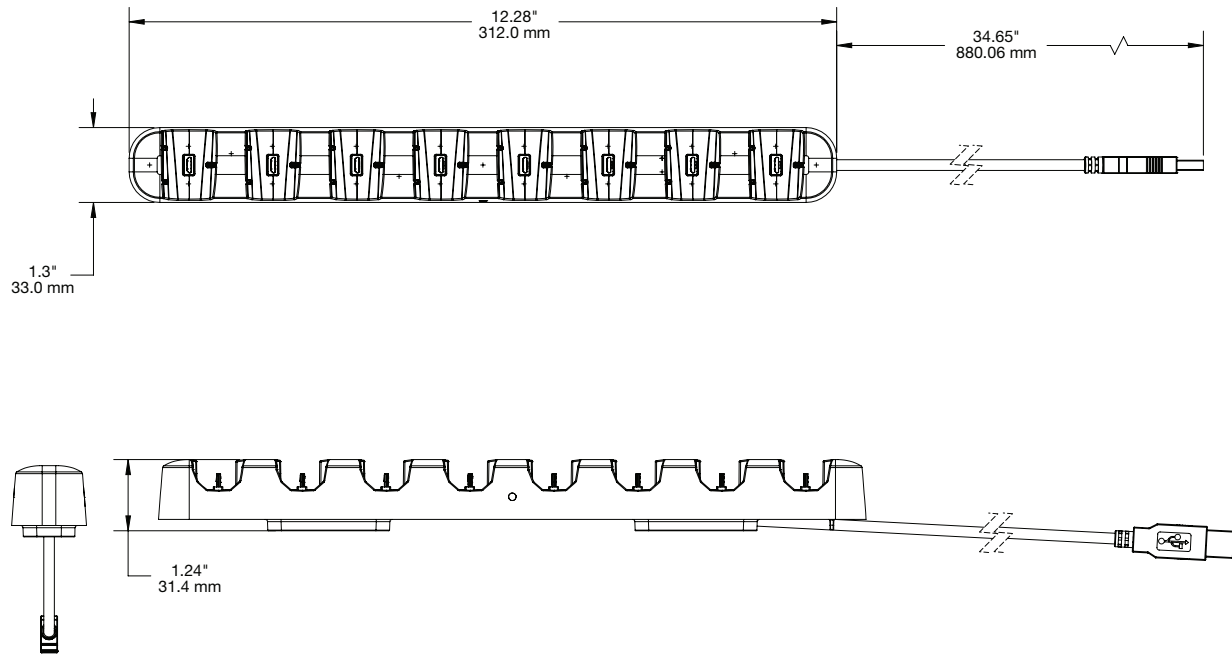


IR3 Key Cover (AK4482):



SPECIFICATIONS

IR3 Key Charger (AK4408):



PRODUCT ORDERING

ORDER CODE	DESCRIPTION	QTY.
AK4400	IR3 Key	25
AK4400-S	IR3 Sounder Key	25
AK4482	IR3 Key Cover	25
AK4408	IR3 Key Charger	16
PS515-US	Power Supply - US	32
PS515-EU	Power Supply - EU	
PS515-UK	Power Supply - UK	
PS515-AUS	Power Supply - AUS	
PS515-JPN	Power Supply - JPN	

The IR3 Key is compatible with Access Manager to help you control external and internal theft. Access Manager allows individualized associate access to InVue devices through store zoning and maintains a log of associate InVue device interactions for auditing of suspicious activity.

ORDER CODE	DESCRIPTION	QTY.
ACCESS MANAGER-US	InVue Access Manager Software & Controller Key Authorization Station Key Authorization Station Power Supply - US InVue Set-up App Access InVue Set-up Cable Ethernet Cable, Qty. 2 Caution Guide Store Planning Workbook Installation Instructions	1
ACCESS MANAGER-EU	InVue Access Manager Software & Controller Key Authorization Station Key Authorization Station Power Supply - EU InVue Set-up App Access InVue Set-up Cable Ethernet Cable, Qty. 2 Caution Guide Store Planning Workbook Installation Instructions	1
ACCESS MANAGER-UK	InVue Access Manager Software & Controller Key Authorization Station Key Authorization Station Power Supply - UK InVue Set-up App Access InVue Set-up Cable Ethernet Cable, Qty. 2 Caution Guide Store Planning Workbook Installation Instructions	1

PRODUCT ORDERING

ORDER CODE	DESCRIPTION	QTY.
ACCESS MANAGER-AUS	InVue Access Manager Software & Controller Key Authorization Station Key Authorization Station Power Supply - AUS InVue Set-up App Access InVue Set-up Cable Ethernet Cable, Qty. 2 Caution Guide Store Planning Workbook Installation Instructions	1
ACCESS MANAGER-JPN	InVue Access Manager Software & Controller Key Authorization Station Key Authorization Station Power Supply - ADS InVue Set-up App Access InVue Set-up Cable Ethernet Cable, Qty. 2 Caution Guide Store Planning Workbook Installation Instructions	1

invue.com

©2016 InVue Security Products. No endorsement of InVue products has been made by any of the manufacturers of the products shown. Product is sold pursuant to InVue's warranty which can be found at www.invue.com/warranty.

THE AMERICAS 704.752.6513 • 888.55.INVUE

EUROPE, MIDDLE EAST & AFRICA +31.23.8900150

ASIA PACIFIC +852.3127.6811

