

SNC-ZM550

Hybrid Mini Dome HD Camera

SONY
make.believe

High-quality 720p HD Hybrid Mini Dome Camera

- IPELA HYBRID™ — Sony's IP and analog-over-coax technology*1
- Excellent 720p HD picture quality, supporting H.264 at 30 fps (IP)
- 1.3 megapixel (1280 x 1024) maximum resolution (IP)
- Three codecs (H.264, MPEG-4, JPEG) and a dual streaming capability



HD **1.3M**
MEGAPIXEL

Key Features

- Simultaneous transmission of IP HD video and analog SD video*2
- Maximum cable length of 300 m (1,000 feet) with an RG-59 coaxial cable*3
- The Exmor™ CMOS sensor realizes high quality and low noise images
Exmor™
- Easy Focus function for easy installation
- Optical Day/Night function to switch to Day or Night mode depending on the light level
- Stream Squared function to send two 4:3 aspect ratio videos in user-selectable resolutions up to SD simultaneously (low-cost solution to replace two SD cameras located in a line)*4

- DEPA™ Intelligent Video analytics system can be set up with a DEPA-enabled recorder



- ONVIF (Open Network Video Interface Forum) Version 1.02 conformance that ensures greater interoperability and more flexibility in building multiple-vendor systems



- Smartphone viewer for accessing the camera from a smartphone*5

*1 Sony's IP and analog-over-coax technology is developed based on Intersil's SLOC™ (Security Link Over Coax) technology.

*2 For output of IP and analog signals from its SLOC port, the camera must be connected to a SLOC-compatible device via a coaxial cable. The output analog image may not display correctly, depending on the video format and image size settings. For details please contact your nearest Sony office.

*3 Cable length varies according to cable grade and quality.

*4 This function is not available when an analog video signal is output from the SLOC port.

*5 For details, please contact your local Sony office.

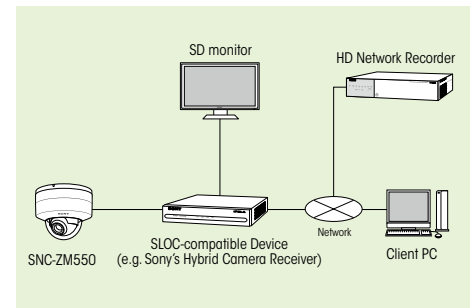
IPELA HYBRID  **sloc™**

SPECIFICATIONS

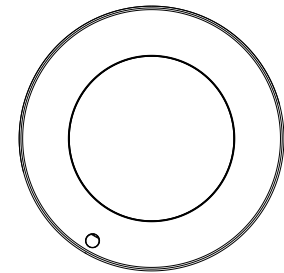
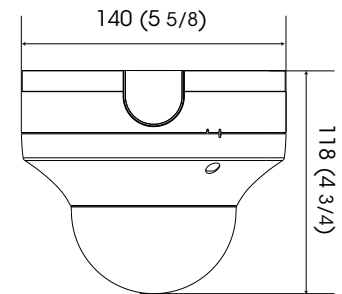
SNC-ZM550	
Camera	
Image sensor	1/3-type "Exmor" CMOS sensor
Number of effective pixels	Approx. 1.4 Megapixel (1329 x 1049)
Signal system	NTSC color system/PAL color system (switchable)
Minimum illumination	Color: 0.50 lx, B/W: 0.30 lx (F1.2, shutter 1/30 s, AGC 42 dB, 50 IRE [IP])
Gain	Auto (set Max limit value)
Shutter speed	1/1 s to 1/10,000 s
Exposure control	Backlight compensation, Exposure compensation, AGC, Shutter speed
White balance	ATW, ATW-PRO, Fluorescent lamp, Mercury lamp, Sodium vapour lamp, Metal halide lamp, White LED, One push WB, Manual
Lens	Built-in vari-focal lens
Zoom ratio	Optical 2.9x
Horizontal viewing angle	85.4 to 31.2 degrees
Focal length	f = 3.1 mm to 8.9 mm
F-number	F1.2 (Wide), F2.1 (Tele)
Minimum object distance	300 mm
Camera Features	
Day/Night	Yes
Wide-D	No
Noise reduction	Yes
Image	
Codec image size (H x V)	1280 x 1024, 1280 x 960, 1280 x 800, 1280 x 720, 1024 x 768, 1024 x 576, 800 x 600, 800 x 480, 768 x 576, 720 x 576, 720 x 480, 704 x 576, 640 x 480, 640 x 368, 384 x 288, 320 x 240, 320 x 192
Video compression format	H.264, MPEG-4, JPEG
Codec streaming capability	Dual streaming*1
Maximum frame rate	30 fps (H.264, MPEG-4, JPEG) at 1280 x 720
Scene Analytics	
Intelligent motion detection	Yes
Network	
Protocols	IPv4, IPv6, TCP, UDP, ARP, ICMP, IGMP, HTTP, HTTPS, FTP (client only), SMTP, DHCP, DNS, NTP, RTP/RTCP, RTSP, SNMP (MIB-2)
ONVIF conformance	Yes (version 1.02)
Number of clients	5
Authentication	IEEE802.1X
Interface	
Analog monitor output	RCA jack x 1 (1.0 Vp-p, 75 ohms, unbalanced, sync negative)
Video out	BNC x1 (Video out: 1.0 Vp-p, 75 ohms, unbalanced, sync negative)
SLOC	
Line output	No
Network port	10BASE-T/100BASE-TX (RJ-45)
Sensor input	No
Alarm output	No
Microphone input	No
Card slots	No
System Requirements	
Operating system	Microsoft Windows XP, Windows Vista (32 bit), Windows 7 (32 bit/64 bit)
Processor	Intel Core2 Duo 2 GHz or higher
Memory	1 GB or more
Web browser	Microsoft Internet Explorer Ver. 6.0, Ver. 7.0, Ver. 8.0 Firefox Ver. 3.5 (plug-in free viewer only) Safari Ver. 4.0 (plug-in free viewer only) Google Chrome Ver. 4.0 (plug-in free viewer only)
General	
Power requirements	AC 24 V, DC 12 V
Power consumption	7.0 W max.
Operating temperature	-10 °C to +50 °C (14 °F to 122 °F)
Starting temperature	0 °C to +50 °C (32 °F to 122 °F)
Storage temperature	-20 °C to +60 °C (-4 °F to +140 °F)
Operating humidity	20% to 80%
Storage humidity	20% to 95%
Vandal resistant	No
Dimensions (W x H x D)	ø140 mm x 118 mm (5 5/8 inches x 4 3/4 inches)
Mass	Approx. 715 g (1 lb 9.2 oz) not including the cables and bracket
Safety regulations	JATE technical standard (LAN), UL2044, IEC60950-1 (CB) VCCI (Class A), FCC (Class A), IC (Class A) Emission: EN55022 (Class A) + EN50130-4 Immunity: EN55022 (Class A) + EN55024 Emission: AS/NZS CISPR22 (Class A)
Supplied accessories	CD-ROM (User's guides, and supplied programs) (1), Bracket (1), Template (1), Wire rope (1), Camera unit mounting screws (2), Shoulder screw M4 (1), BNC cable (1), DC 12 V/AC 24 V Power input cable (1), Installation manual (1 set)

*1 Dual streaming is not available when an analog video signal is output from the SLOC port.

SYSTEM CONFIGURATION



DIMENSIONS



Unit: mm (inches)

Distributed by

MK10915V10HB12MAY

© 2012 Sony Corporation. All rights reserved.
 Reproduction in whole or in part without written permission is prohibited.
 Features and specifications are subject to change without notice.
 The values for weight and dimension are approximate.
 "Sony", "make believe", "IPELA HYBRID", "Exmor", and "DEPA" are trademarks of Sony corporation.
 SLOC is a trademark owned by the Intersil Corporation family of companies.
 All other trademarks are the property of their respective owners.