

SNC-ZB550

Hybrid Fixed HD Camera

SONY
make.believe

High-quality 720p HD Hybrid Fixed Camera

- IPELA HYBRID™ — Sony IP and analog-over-coax technology*1
- Excellent 720p HD picture quality, supporting H.264 at 30 fps (IP)
- 1.3 megapixel (1280 x 1024) maximum resolution (IP)
- Three codecs (H.264, MPEG-4, JPEG) and dual streaming capability*4



HD **1.3M**
MEGAPixels

Key Features

- Simultaneous transmission of IP HD video and analog SD video*2
 - Maximum cable length of 1,000 feet (300 m) with an RG-59 coaxial cable*3
 - The Exmor™ CMOS sensor delivers high quality images with low noise
- Exmor™**
- Easy Focus - allows installer/user to focus the camera remotely or locally
 - True Day/Night function to switch to Day or Night mode depending on the light level
 - Smartphone viewer for accessing the camera from a smartphone

- DEPA™ Intelligent Video Analytics enables cameras to send not only video images, but related metadata, including object data (size and position) to the DEPA-enabled recorder. Since part of the image processing is done on the camera side, the load to the recorder can be reduced enabling camera expansion



- ONVIF (Open Network Video Interface Forum) Version 1.02 software that ensures greater interoperability and more flexibility in building multiple-vendor systems



*1 Sony IP and analog-over-coax technology is developed based on Intersil's SLOC™ (Security Link Over Coax) technology.

*2 For output of IP and analog signals from its SLOC port, the camera must be connected to a SLOC-compatible device via a coaxial cable. The output analog image may not display correctly, depending on the video format and image size settings. For details please contact your nearest Authorized Sony Reseller.

*3 Cable length varies according to cable grade and quality.

*4 Dual streaming is only available when SLOC is OFF.

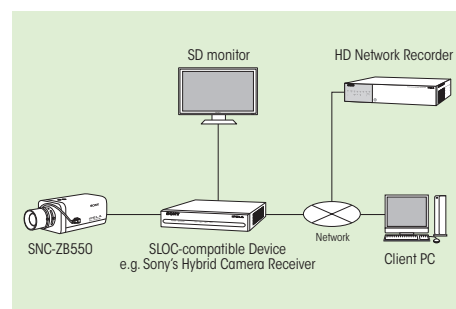
IPELA HYBRID **sloc**

SPECIFICATIONS

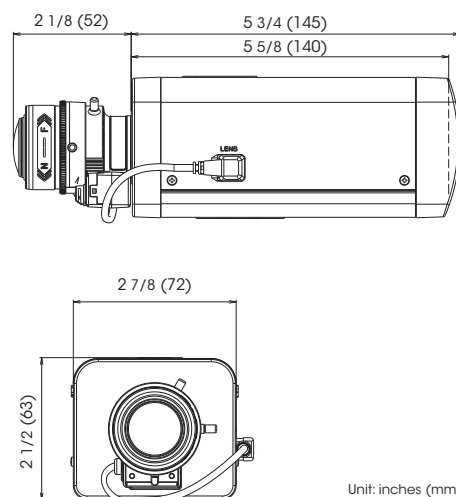
SNC-ZB550	
Camera	
Image sensor	1/3-type Exmor CMOS sensor
Number of effective pixels	Approx. 1.4 Megapixel (1329 x 1049)
Signal system	NTSC color system/PAL color system (switchable)
Minimum illumination	Color: 0.50 lx, B/W: 0.30 lx (F1.2, shutter 1/30 s, AGC 42 dB, 50 IRE [IP])
Gain	Auto (set Max limit value)
Shutter speed	1/1 s to 1/10,000 s
Exposure control	Backlight compensation, Exposure compensation, AGC, Shutter speed
White balance	ATW, ATW-PRO, Fluorescent lamp, Mercury lamp, Sodium vapour lamp, Metal halide lamp, White LED, One push WB, Manual
Lens	CS mount vari-focal lens
Zoom ratio	Optical 2.9x
Horizontal viewing angle	96.5° to 33.9°
Focal length	f = 2.8 mm to 8.0 mm
F-number	F1.2 (Wide), F1.9 (Tele)
Minimum object distance	300 mm
Camera Features	
Day/Night	Yes, true Day/Night
Wide-D	No
Noise reduction	Yes
Image	
Codec image size (H x V)	1280 x 1024, 1280 x 960, 1280 x 800, 1280 x 720, 1024 x 768, 1024 x 576, 800 x 600, 800 x 480, 768 x 576, 720 x 576, 720 x 480, 704 x 576, 640 x 480, 640 x 368, 384 x 288, 320 x 240, 320 x 192
Video compression format	H.264, MPEG-4, JPEG
Codec streaming capability	Dual streaming*1 (Any combination with H.264/MPEG-4/JPEG, including multiple streams of the same format)
Maximum frame rate	30 fps (H.264, MPEG-4, JPEG) at 1280 x 720
Composite video output	Yes, when SLOC switch is OFF
Scene Analytics	
Intelligent motion detection	Yes
Network	
Protocols	IPv4, IPv6, TCP, UDP, ARP, ICMP, IGMP, HTTP, HTTPS, FTP (client only), SMTP, DHCP, DNS, NTP, RTP/RTCP, RTSP, SNMP (MIB-2)
ONVIF software	Yes (version 1.02)
Number of clients	5
Authentication	IEEE802.1X
Interface	
Video out (SLOC OFF)	BNC x1 (Video out: 1.0 Vp-p, 75 ohms, unbalanced, sync negative)
Network port	10BASE-T/100BASE-TX (RJ-45)
Sensor input	x1, make contact, break contact
Alarm output	x1, 24 V AC/DC, 1 A (mechanical relay outputs electrically isolated from the camera)
Microphone input	No
Card slots	No
System Requirements	
Operating system	Microsoft Windows XP® (32 bit), Windows Vista® (32 bit), Windows 7® (32 bit/64 bit)
Processor	Intel Core2 Duo 2 GHz or higher
Memory	1 GB or more
Web browser	Microsoft Internet Explorer® Ver. 6.0, Ver. 7.0, Ver. 8.0 Firefox® Ver. 3.5 (plug-in free viewer only) Safari® Ver. 4.0 (Plug-in free viewer only) Google® Chrome Ver. 4.0 (plug-in free viewer only)
General	
Power requirements	AC 24 V, DC 12 V
Power consumption	6.0 W max.
Operating temperature	14 °F to 122 °F (-10 °C to +50 °C)
Starting temperature	32 °F to 122 °F (0 °C to +50 °C)
Storage temperature	-4 °F to +140 °F (-20 °C to +60 °C)
Operating humidity	20% to 80%
Storage humidity	20% to 95%
Vandal resistant	No
Dimensions (W x H x D)	2 7/8 inches x 2 1/2 inches x 5 3/4 inches (72 mm x 63 mm x 145 mm) not including the projecting parts 2 7/8 inches x 2 1/2 inches x 7 7/8 inches (72 mm x 63 mm x 197 mm) with lens not including the projecting parts
Weight	Approx. 1 lb 3.4 oz (550 g) with lens
Safety regulations	JATE technical standard (LAN), UL2044, IEC60950-1 (CB) VCCI (Class A), FCC (Class A), IC (Class A) Emission: EN55022 (Class A) + EN50130-4 Immunity: EN55022 (Class A) + EN55024 Emission: AS/NZS CISPR22 (Class A)
Supplied accessories	CD-ROM (Users guides, and supplied programs) (1), Wire rope (1), Screw M4 (1), DC 12 V/AC 24 V connector (1), Installation manual (1 set)

*1 Dual streaming is not available when an analog video signal is output from the SLOC port.

SYSTEM CONFIGURATION



DIMENSIONS



REAR PANEL

