

## Series 940 Thin Sensor

# The smallest powered camera sensor available.

The Series 940 Thin Sensor is ideal for displaying and powering up cameras of all sizes. The thin profile doesn't distract from the merchandise on display.

- A single sensor secures and powers all cameras
- Ultra thin profile provides an unmatched consumer experience
- Can be attached to a display stand or docked to a metal surface for a minimal display
- Anti-rotation bracket prevents camera from rotating on the sensor



### Power Up

Regulated sensor powers up any camera on the market

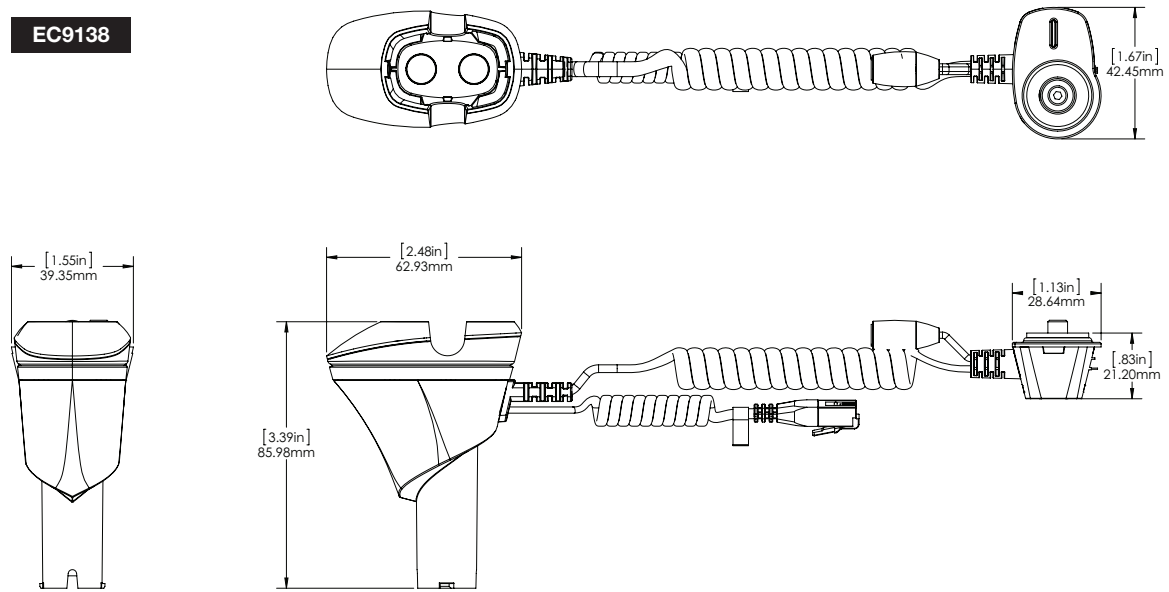
### Ultra Thin Profile

Magnetic adaptors allow sensor to be attached to metal surfaces for a minimal display

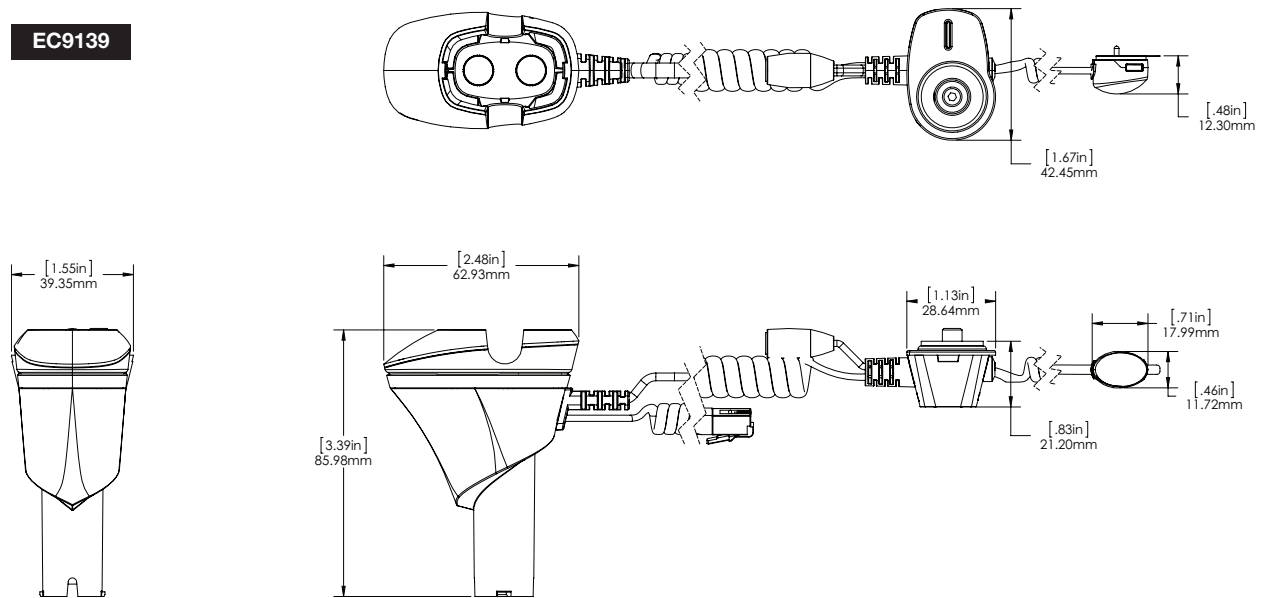


unit dimensions

**EC9138**



**EC9139**



ORDER CODE	DESCRIPTION	EXTERNAL DIM. (L x W x H)	CARTON QTY.	CARTON WT.
EC9138-W EC9138-B	Thin Sensor - White Thin Sensor - Black	14.5" L x 3.5" W x 1.5" H (37.0cm L x 9.0cm W x 4.0cm H)	1	0.3 lbs (0.14 kg)
EC9139-W EC9139-B	Thin Sensor w/Lens Sensor - White Thin Sensor w/Lens Sensor - Black	14.5" L x 3.5" W x 1.5" H (37.0cm L x 9.0cm W x 4.0cm H)	1	0.3 lbs (0.14 kg)
EC9176-W EC9176-B	Thin Sensor Dock Pack- White Thin Sensor Dock Pack - Black	6.3" L x 3.5" W x 3.5" H (16.0cm L x 9.0cm W x 9.0cm H)	1	0.15 lbs (0.07 kg)

The Series 940 Thin Sensor is the smallest powered camera sensor available. The thin profile doesn't distract from the merchandise on display. Simple adapters snap on to display DSLRs or smaller point-and-shoot cameras.



**CORPORATE OFFICE** // North America // 704.752.6513 // 888.55.INVUE

**EUROPEAN OFFICE** // The Netherlands // +31.23.8900150

**ASIAN OFFICE** // Hong Kong // +852.3127.6811

**LATIN AMERICA OFFICE** // Mexico // +52.55.90003957

©2012 InVue Security Products. No endorsement of InVue products has been made by any of the manufacturers of the products shown. Product is sold pursuant to InVue's warranty which can be found at [www.invuesecurity.com/english/warranty.html](http://www.invuesecurity.com/english/warranty.html)