

NEW FOR 2012

tough security made easy

Series 940 Tablet Sensor

Power and security for high powered tablets.

The Series 940 Tablet Sensor is perfect for displaying and powering up tablets with varying power requirements.

- Secures and powers all tablets
- Solid sensor dock supports the heaviest tablets
- Compatible with Series 940 Stand, Puck and Vertical Mount



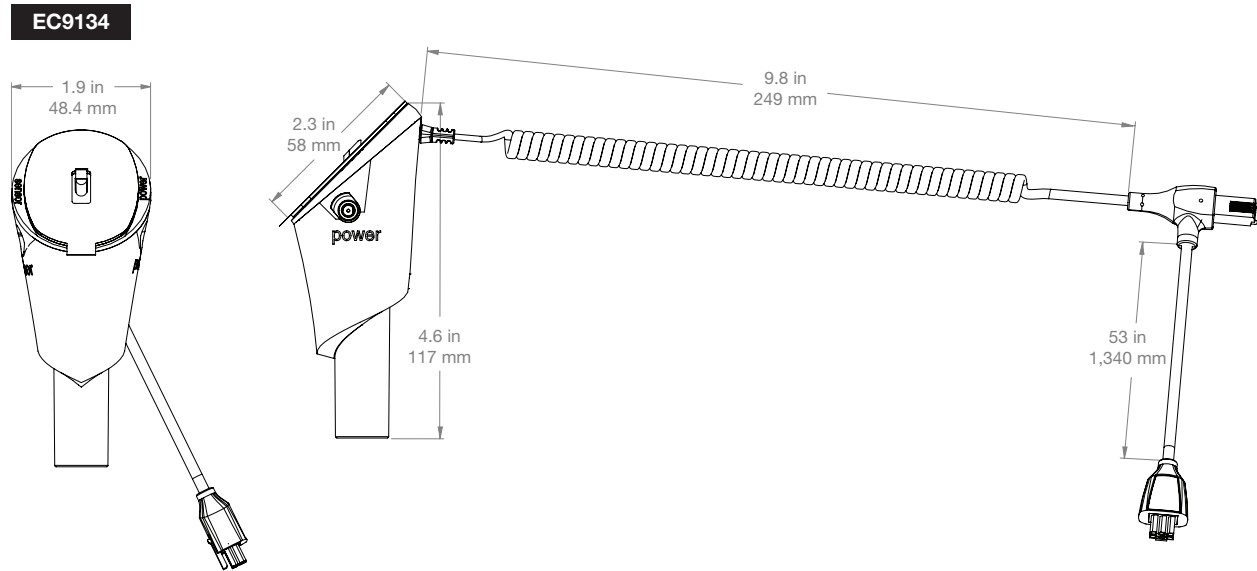
Power Up
Regulated sensor powers up any tablet on the market



Expanded Adhesive Dock
Solid sensor dock secures and supports the heaviest tablets

IMPORTANT!
 ① Plug in power connector
 ② Optional: Plug in secondary sensor
 ③ Peel and attach merchandise

unit dimensions



product ordering

ORDER CODE	DESCRIPTION	EXTERNAL DIM. (L x W x H)	CARTON QTY.	CARTON WT.
EC9134-W EC9134-B	Tablet Sensor - White Tablet Sensor - Black	6.0" L x 6.0" W x 2.0" H (15.3cm L x 15.3cm W x 5.0cm H)	1	0.15 lbs (0.05 kg)
EC9135-W EC9135-B	Tablet Secondary Sensor - White Tablet Secondary Sensor - Black	5.0" L x 0.5" W x 0.5" H (12.8cm L x 1.4cm W x 1.4cm H)	1	0.1 lbs (0.04 kg)
EC9163	Tablet Sensor Replacement Adhesives	5.1" L x 8.3" W x 0.1" H (13.0cm L x 21.1cm W x 0.3cm H)	6	0.12 lbs (0.05 kg)
PS24V	24 Volt Power Supply	9.5" L x 6.8" W x 4.8" H (24.1cm L x 17.3cm W x 12.2cm H)	1	0.23 lbs (0.01 kg)
YC9	AC Cable for EC9154 - US	8.0" L x 4.5" W x 0.3" H (20.3cm L x 11.4cm W x 0.6cm H)	1	0.10 lbs (0.05 kg)
YC10	AC Cable for EC9154 - UK	8.0" L x 4.5" W x 0.3" H (20.3cm L x 11.4cm W x 0.6cm H)	1	0.10 lbs (0.05 kg)
YC11	AC Cable for EC9154 - EUR	25.0" L x 0.75" W x 0.5" H (63.5cm L x 2.0cm W x 1.3cm H)	1	0.10 lbs (0.05 kg)
YC12	AC Cable for EC9154 - AUS	2.5" L x 1.4" W x 2.0" H (6.2cm L x 3.4cm W x 5.0cm H)	1	0.10 lbs (0.05 kg)

CORPORATE OFFICE // North America // 704.752.6513 // 888.55.INVUE

EUROPEAN OFFICE // The Netherlands // +31.23.8900150

ASIAN OFFICE // Singapore // +65.6766.4844

LATIN AMERICA OFFICE // Mexico // +52.55.90003957

©2012 InVue Security Products. No endorsement of InVue products has been made by any of the manufacturers of the products shown. Product is sold pursuant to InVue's warranty which can be found at www.invuesecurity.com/english/warranty.html

www.invuesecurity.com

inVUE