

## Series 940 Swivel Camera Sensor

# Reduces cable twisting for tangle free interaction.

The Series 940 Swivel Camera Sensor incorporates 360° swivel technology for ease-of-use and tangle free customer interaction.

- One sensor secures all styles of cameras
- Extends sensor cable life
- Allows for true weight and feel of camera
- Optional DSLR lens sensor



### Power Up

Regulated sensor powers up any camera on the market.

### Secures All Cameras

Point-and-shoots, Camcorders, DSLRs and Mirrorless cameras

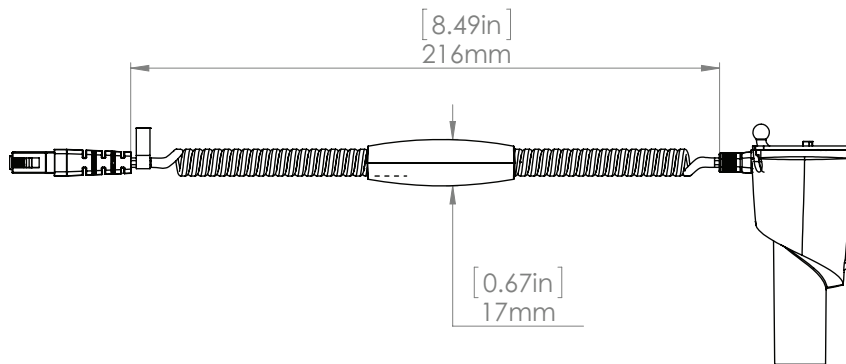
### Ease-of-Use

360° swivel technology is tangle free for better customer interaction.



## unit dimensions

EC9137



## product ordering

ORDER CODE	DESCRIPTION	EXTERNAL DIM. (L x W x H)	CARTON QTY.	CARTON WT.
EC9137-W	Swivel Camera Sensor - White	3.8" L x 3.4" W x 3.4" H (9.6cm L x 8.7cm W x 8.7cm H)	1	0.20 lbs (0.10 kg)
EC9137-B	Swivel Camera Sensor - Black			

**CORPORATE OFFICE** // North America // 704.752.6513 // 888.55.INVUE

**EUROPEAN OFFICE** // The Netherlands // +31.23.8900150

**ASIAN OFFICE** // Hong Kong // +852.3127.6811

**LATIN AMERICA OFFICE** // Mexico // +52.55.90003957

©2012 InVue Security Products. No endorsement of InVue products has been made by any of the manufacturers of the products shown. Product is sold pursuant to InVue's warranty which can be found at [www.invuesecurity.com/english/warranty.html](http://www.invuesecurity.com/english/warranty.html)

[www.invuesecurity.com](http://www.invuesecurity.com)

**inVUE**