

NEW FOR 2012

tough security made easy

Series 1000 TB2 High Security Tablet Stand

Tough protection that doesn't hinder the customer experience.

The Series 1000 TB2 quickly and easily adjusts to fit most tablet sizes for maximum protection and full access to ports and buttons.

- Limited-lift bracket and angled sensor combine to provide ultimate protection
- Quickly and easily adjust to secure and power all tablets
- Tablets can be mounted horizontally or vertically
- Provides full access to all ports and buttons



Power Up
Power pass through fully powers up all tablets.

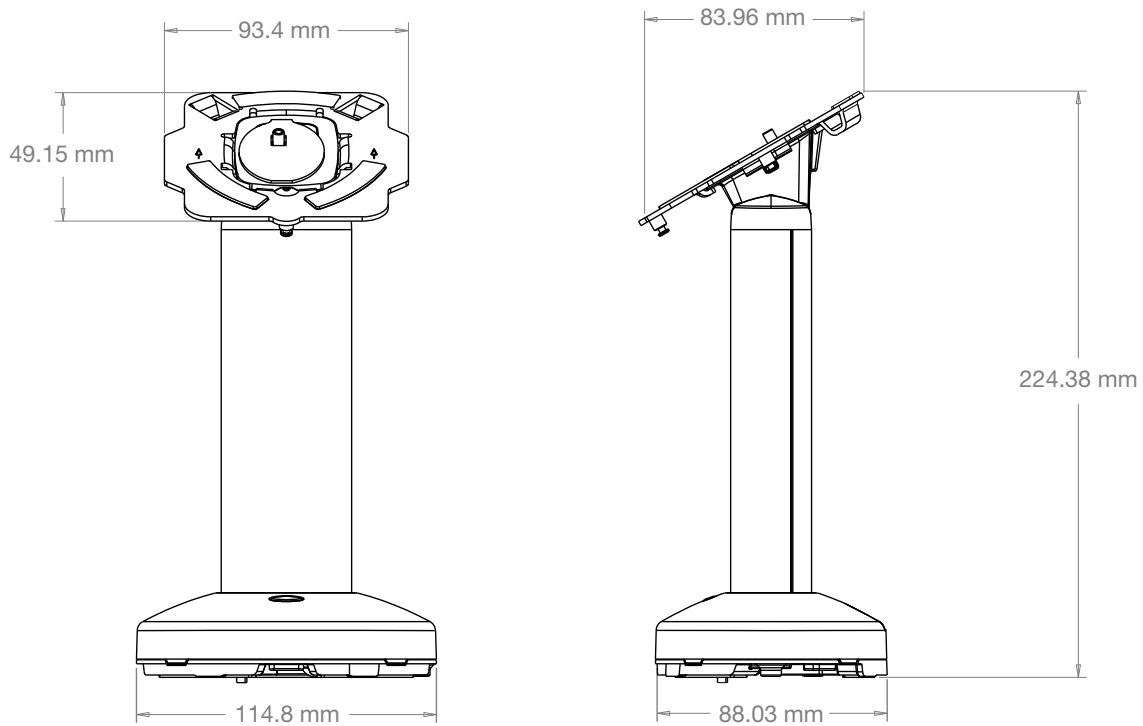
Fits Most Size Tablets
Adjustable arms adapt to fit most tablets or eReaders and allow access to all ports and buttons.



Limited Lift Bracket
Bracket and steel cable lifts off stand for improved customer interaction and maximum security.

base & unit dimensions

HC7341



product ordering

ORDER CODE	DESCRIPTION	EXTERNAL DIM. (L x W x H)	CARTON QTY.	CARTON WT.
HC7341-W HC7341-B	TB2 (Limited Lift) - White TB2 (Limited Lift) - Black	10.3" L x 5.6" W x 4.8" H (26.2cm L x 14.2cm W x 12.2cm H)	1	1.1 lbs (0.56 kg)
HC5418	TB2 Bracket Replacement Adhesive	5.1" L x 8.3" W x 0.1" H (13.0cm L x 21.1cm W x 0.3cm H)	8	0.12 lbs (0.05 kg)

Items required to create a powered display:

- ① TB2 (listed above); ② Power Connector; ③ OEM Power Supply

For additional information, please contact your local InVue sales representative, or consult the InVue Secure Displays Product Catalog, available online at invueseconomy.com/podscatalog.

CORPORATE OFFICE // North America // 704.752.6513 // 888.55.INVUE

EUROPEAN OFFICE // The Netherlands // +31.23.8900150

ASIAN OFFICE // Singapore // +65.6766.4844

LATIN AMERICA OFFICE // Mexico // +52.55.90003957

©2012 InVue Security Products. No endorsement of InVue products has been made by any of the manufacturers of the products shown. Product is sold pursuant to InVue's warranty which can be found at www.invueseconomy.com/english/warranty.html

www.invueseconomy.com

inVUE