



 **secure displays**
tough security made easy

Series 1000

Power Puck

We've made the best even better

- Patented internal recoiler mechanism – simple yet ingenious
- Low maintenance design is retail friendly
- Advanced electronics include interactive capable, cctv interface and battery back-up
- Independent alarming security with full power-up capability
- Patented IR Technology allows store-specific key coding
- Low-profile display unit is completely hidden for optimal merchandising



Can be used to create
vertical displays.

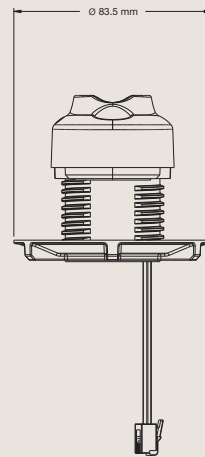
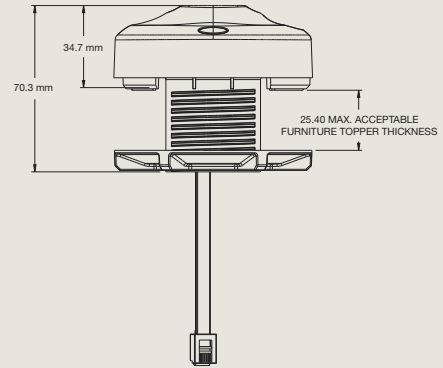
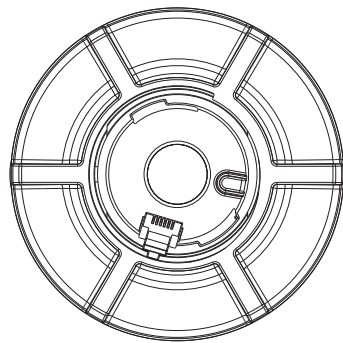
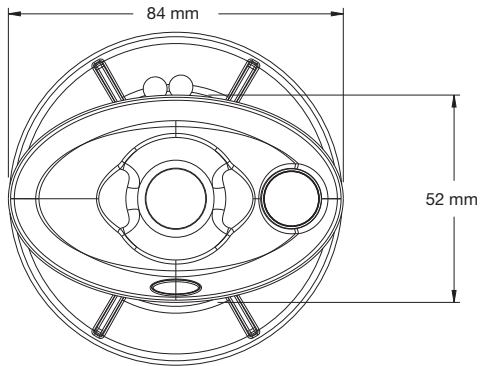
inVUE
SECURITY PRODUCTS™

invuesecurity.com
©2011 InVue Security Products

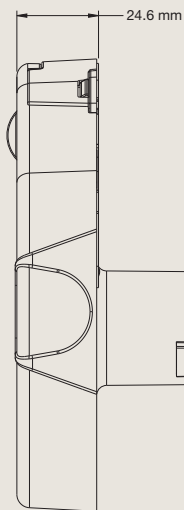
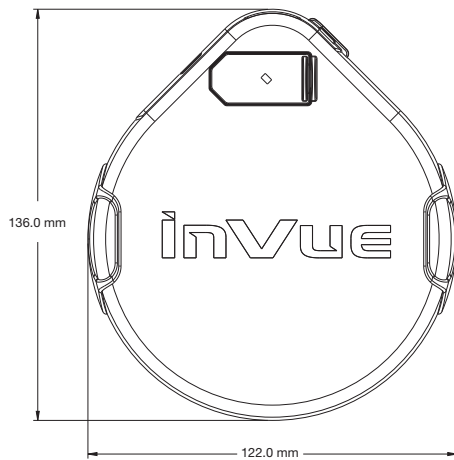
base dimensions

unit dimensions

HC7310



HC7321



CORPORATE OFFICE // North America// 704.752.6513// 888.55.INVUE
EUROPEAN OFFICE // The Netherlands // +31.23.8900150
ASIAN OFFICE // Singapore // +65.6766.4844

inVUE
SECURITY PRODUCTS™

product ordering

ORDER CODE	DESCRIPTION	EXTERNAL DIM. (L x W x D)	CARTON QTY.	CARTON WT.
HC7310-W HC7310-B	Power Puck - White Power Puck - Black	4.00" L x 4.00" W x 4.00" D (10.2cm L x 10.2cm W x 10.2cm D)	1	0.40 lbs (0.18 kg)
HC7321	Below Counter Collection Tube	5.2" L x 5.2" W x 2.4" D (13.2cm L x 13.2cm W x 6.1cm D)	1	0.40 lbs (0.18 kg)
HC7201-W HC7201-B	Sensor Single Inline - White Sensor Single Inline - Black	16.0" L x 3.0" W x 1.0" D (39.6cm L x 7.6cm W x 2.5cm D)	1	0.12 lbs (0.06 kg)
HC7202-W HC7202-B	Sensor Dual Inline - White Sensor Dual Inline - Black	16.0" L x 3.0" W x 1.0" D (39.6cm L x 7.6cm W x 2.5cm D)	1	0.12 lbs (0.06 kg)
HC7204-W HC7204-B	IC Sensor Micro USB - White IC Sensor Micro USB - Black	16.0" L x 3.0" W x 1.0" D (39.6cm L x 7.6cm W x 2.5cm D)	1	0.12 lbs (0.06 kg)
HC7205-W HC7205-B	IC Dual Sensor Micro USB - White IC Dual Sensor Micro USB - Black	16.0" L x 3.0" W x 1.0" D (39.6cm L x 7.6cm W x 2.5cm D)	1	0.12 lbs (0.06 kg)
HC7206-W HC7206-B	IC Sensor Mini USB - White IC Sensor Mini USB - Black	16.0" L x 3.0" W x 1.0" D (39.6cm L x 7.6cm W x 2.5cm D)	1	0.12 lbs (0.06 kg)
HC7207-W HC7207-B	IC Sensor iPhone - White IC Sensor iPhone - Black	16.0" L x 3.0" W x 1.0" D (39.6cm L x 7.6cm W x 2.5cm D)	1	0.12 lbs (0.06 kg)
HC7208-B	Flex Cell Sensor NARROW PHONE - Black	16.0" L x 3.0" W x 1.0" D (39.6cm L x 7.6cm W x 2.5cm D)	1	0.12 lbs (0.06 kg)
HC7209-B	Flex Cell Sensor WIDE PHONE - Black	16.0" L x 3.0" W x 1.0" D (39.6cm L x 7.6cm W x 2.5cm D)	1	0.12 lbs (0.06 kg)
HC5240-W HC5240-B	Sports Watch Sensor - White Sports Watch Sensor - Black	19.5" L x 3.5" W x 1.5" D (49.5cm L x 9.0cm W x 3.8cm D)	1	0.14 lbs (0.06 kg)
HC7230-W HC7230-B	Sensor Single 30° Inline - White Sensor Single 30° Inline - Black	16.0" L x 3.0" W x 1.0" D (39.6cm L x 7.6cm W x 2.5cm D)	1	0.12 lbs (0.06 kg)
HC7232-W HC7232-B	Sensor Dual 30° Inline - White Sensor Dual 30° Inline - Black	16.0" L x 3.0" W x 1.0" D (39.6cm L x 7.6cm W x 2.5cm D)	1	0.12 lbs (0.06 kg)
HC7235-B	Flex Cell Angled Sensor NARROW PHONE - Black	16.0" L x 3.0" W x 1.0" D (39.6cm L x 7.6cm W x 2.5cm D)	1	0.12 lbs (0.06 Kg)
HC7236-B	Flex Cell Angled Sensor WIDE PHONE - Black	16.0" L x 3.0" W x 1.0" D (39.6cm L x 7.6cm W x 2.5cm D)	1	0.12 lbs (0.06 Kg)
HC4413	Series 1000 5 Volt Power Supply - USA	3.1" L x 2.6" W x 1.8" D (7.9cm L x 6.6cm W x 4.5cm D)	1	0.25 lbs (0.12 kg)
HC4413-JPN	Series 1000 5 Volt Power Supply - Japan	3.1" L x 2.6" W x 1.8" D (7.9cm L x 6.6cm W x 4.5cm D)	1	0.25 lbs (0.12 kg)
HC4415	Series 1000 5 Volt Power Supply - EUR	3.1" L x 2.6" W x 1.8" D (7.9cm L x 6.6cm W x 4.5cm D)	1	0.25 lbs (0.12 kg)
HC4416	Series 1000 5 Volt Power Supply - UK and AUS	3.1" L x 2.6" W x 1.8" D (7.9cm L x 6.6cm W x 4.5cm D)	1	0.25 lbs (0.12 kg)

Items required to create a powered display:

- ① Power Puck (listed above); ② Collection Tube; ③ Sensor; ④ Power Connector; ⑤ Standardized Power Supply

For additional information, please contact your local InVue sales representative, or consult the InVue Secure Displays Product Catalog, available online at invuesecurity.com/podscatalog.

CORPORATE OFFICE // North America// 704.752.6513// 888.55.INVUE

EUROPEAN OFFICE // The Netherlands // +31.23.8900150

ASIAN OFFICE // Singapore // +65.6766.4844



product ordering

ORDER CODE	DESCRIPTION	EXTERNAL DIM. (L x W x D)	CARTON QTY.	CARTON WT.
HC5410	Series 1000 Puck Replacement Adhesives	8.0" L x 4.5" W x 0.25" D (20.3cm L x 11.4cm W x 0.6cm D)	20	0.10 lbs (0.06 kg)
HC7401	Series 1000 Single Sensor Replacement Adhesives	8.0" L x 4.5" W x 0.25" H (20.3cm L x 11.4cm W x 0.6cm D)	20	0.10 lbs (0.06 kg)
HC7402	Series 1000 Dual Sensor Replacement Adhesives	8.0" L x 4.5" W x 0.25" H (20.3cm L x 11.4cm W x 0.6cm D)	20	0.10 lbs (0.06 kg)
AF7425	Replacement Flex Cell Switches Narrow Phone	5.1" L x 8.3" W x 0.1" D (13.0cm L x 21.1cm W x 0.3cm D)	5	0.10 lbs (0.06 g)
AF7426	Replacement Flex Cell Switches Wide Phone	5.1" L x 8.3" W x 0.1" D (13.0cm L x 21.1cm W x 0.3cm D)	5	0.10 lbs (0.06 g)

Items required to create a powered display:

❶ Power Puck (listed above); ❷ Collection Tube; ❸ Sensor; ❹ Power Connector; ❺ Standardized Power Supply

For additional information, please contact your local InVue sales representative, or consult the InVue Secure Displays Product Catalog, available online at invuesecurity.com/podscatalog.

CORPORATE OFFICE // North America// 704.752.6513// 888.55.INVUE

EUROPEAN OFFICE // The Netherlands // +31.23.8900150

ASIAN OFFICE // Singapore // +65.6766.4844

