

 **secure displays**  
tough security made easy



Series 1000

## Camera Stand

**We've made the best even better**

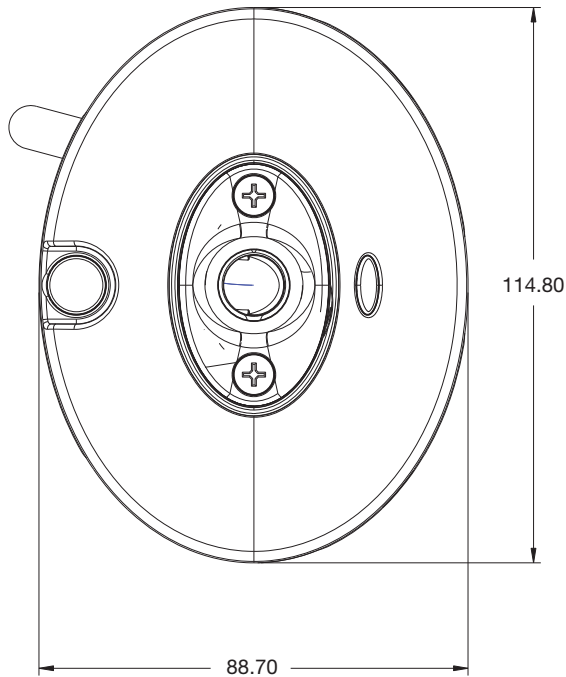
- Patented internal recoiler mechanism – simple yet ingenious
- Low maintenance design is retail friendly
- Advanced electronics include interactive capable, cctv interface and battery back-up
- Independent alarming security with full power-up capability
- Patented IR Technology allows store-specific key coding
- Stand quickly mounts anywhere without tools
- Quick change camera regulators that support all voltages with a single sensor



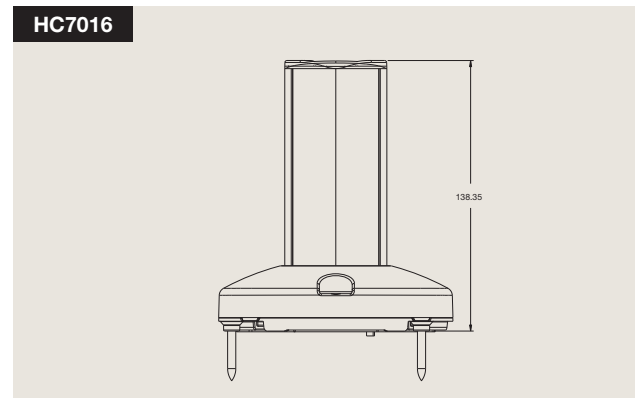
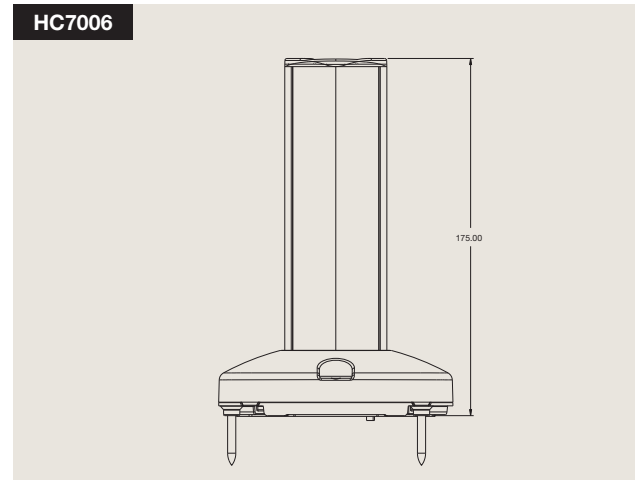
Available in two stand heights.  
One stand accommodates all cameras.

**inVUE**  
SECURITY PRODUCTS™

[invuesecurity.com](http://invuesecurity.com)  
©2011 InVue Security Products



Base dimensions for the HC7006 and HC7016 are the same



Quick Change (QC) retractable lanyards last longer and are easy to change – saving you time and money.



1. Lift POD base cover



2. Feed through stand



3. Wrap and plug into jack

**CORPORATE OFFICE** // North America// 704.752.6513// 888.55.INVUE  
**EUROPEAN OFFICE** // The Netherlands // +31.23.8900150  
**ASIAN OFFICE** // Singapore // +65.6766.4844



product ordering

ORDER CODE	DESCRIPTION	EXTERNAL DIM. (L x W x D)	CARTON QTY.	CARTON WT.
HC7006-W HC7006-B	Tall Camera Stand - White Tall Camera Stand - Black	3.5" L x 5.0" W x 7.4" D (9.0cm L x 12.7cm W x 18.7cm D)	1	0.85 lbs (0.39 kg)
HC7016-W HC7016-B	Mid Level Camera Stand - White Mid Level Camera Stand - Black	3.5" L x 5.0" W x 5.6" D (9.0cm L x 12.7cm W x 14.2cm D)	1	0.70 lbs (0.31 kg)
HC7220-W HC7220-B	Swivel Camera Sensor - White Swivel Camera Sensor - Black	3.5" L x 1.4" W x 3.2" D (8.8cm L x 3.5cm W x 8.1cm D)	1	0.25 lbs (0.12 kg)
HC7223-W HC7223-B	Swivel Camera Sensor with Lens Sensor - White or Black	3.5" L x 1.4" W x 3.2" D (8.8cm L x 3.5cm W x 8.1cm D)	1	0.25 lbs (0.12 kg)
HC7221-W HC7221-B	Coiled Cable for Swivel Camera Sensor, Tall Length - White or Black	13.0" L x 0.4" W x 0.4" D (32.0cm L x 1.0cm W x 1.0cm D)	1	0.10 lbs (0.06 kg)
HC7222-W HC7222-B	Coiled Cable for Swivel Camera Sensor, Mid Length - White or Black	13.0" L x 0.4" W x 0.4" D (32.0cm L x 1.0cm W x 1.0cm D)	1	0.10 lbs (0.06 kg)
HC7216-W HC7216-B	Large Camera Sensor (Tall Stand) - White Large Camera Sensor (Tall Stand) - Black	16.5" L x 2.1" W x 2.8" D (40.8cm L x 5.4cm W x 7.0cm D)	1	0.30 lbs (0.14 kg)
HC7217-W HC7217-B	Small Camera Sensor (Tall Stand) - White Small Camera Sensor (Tall Stand) - Black	16.5" L x 2.1" W x 3.2" D (40.8cm L x 5.4cm W x 8.1cm D)	1	0.40 lbs (0.18 kg)
HC7216W-MED HC7216B-MED	Large Camera Sensor (Mid Level Stand) - White or Black	15.5" L x 2.1" W x 2.8" D (38.3cm L x 5.4cm W x 7.0cm D)	1	0.30 lbs (0.14 kg)
HC7217W-MED HC7217B-MED	Small Camera Sensor (Mid Level Stand) - White or Black	15.5" L x 2.1" W x 3.2" D (38.3cm L x 5.4cm W x 8.1cm D)	1	0.40 lbs (0.18kg)
HC4418	Hidden Cable 18 volt Power Supply - USA	3.3" L x 3.3" W x 2.0" D (8.3cm L x 8.3cm W x 5.0cm D)	1	0.40 lbs (0.18 kg)
HC4418-JPN	Hidden Cable 18 volt Power Supply - Japan	3.3" L x 3.3" W x 2.0" D (8.3cm L x 8.3cm W x 5.0cm D)	1	0.40 lbs (0.18 kg)
HC4419	Hidden Cable 18 volt Power Supply - EUR	3.3" L x 3.3" W x 2.0" D (8.3cm L x 8.3cm W x 5.0cm D)	1	0.40 lbs (0.18 kg)
HC4420	Hidden Cable 18 volt Power Supply - UK and AUS	3.3" L x 3.3" W x 2.0" D (8.3cm L x 8.3cm W x 5.0cm D)	1	0.40 lbs (0.18 kg)
HC5217	Series 1000 Stand Replacement Adhesives	8.0" L x 4.5" W x 0.25" D (20.3cm L x 11.4cm W x 0.6cm D)	6	0.10 lbs (0.06 kg)
HC7420	Anti-Rotation Brackets for Swivel Camera Sensor (3 sizes - 1 of each)	3.5" L x 0.5" W x 1.2" D (8.8cm L x 1.3cm W x 3.0cm D)	3	0.10 lbs (0.06 kg)
HC5212	Double Sided Anti-Rotation Bracket (3 sizes - 5 of each)	2.0" L x 2.4" W x 0.5" D (5.1cm L x 6.1cm W x 1.3cm D)	15	0.30 lbs (0.14 kg)
AF6313	Multi Tool	7.5" L x 1.3" W x 1.3" D (19.1cm L x 3.2cm W x 3.2cm D)	1	0.30 lbs (0.14 kg)

**Items required to create a powered display:** ❶ Display Stand (listed above); ❷ Sensor; ❸ Power Connector; ❹ Standardized Power Supply  
For additional information, please contact your local InVue sales representative, or consult the InVue Secure Displays Product Catalog, available online at [invuesecurity.com/podscatalog](http://invuesecurity.com/podscatalog).

**CORPORATE OFFICE** // North America// 704.752.6513// 888.55.INVUE  
**EUROPEAN OFFICE** // The Netherlands // +31.23.8900150  
**ASIAN OFFICE** // Singapore // +65.6766.4844

