

# Universal wearables solution with an exceptional, self-service customer experience.



The W1000 creates a high-aesthetic display with modern styling and finishes perfect for a high-end environment. The universal, self-service solution allows customers to try on any wearable and explore all the functions without store staff assistance.

As an all above-the-table solution with an integrated alarm unit, recoiler, and watch stem, the W1000 quickly installs and provides independent position security. W1000 is part of InVue's IR Eco-system™ and works with Access Manager.



## FEATURES AND BENEFITS

- 1 Allows consumers to fully experience 'owning' the smart watch without the assistance of store staff
- 2 Built-in recoiler maintains a clean display
- 3 Integrates OEM chargers with discreet power cable routing to ensure devices always have power
- 4 Interchangeable power trim and cradles optimize integration of OEM chargers
- 5 Versatile 'tear' sensor provides freedom and security
  - > Thin and flexible to not interfere with customer experience
  - > Replaceable for simple re-merchandising
- 6 Combining an integrated alarm unit, recoiler, and watch stem allows for quick installation above the table



Items shown in this configuration:

- > DVW100-W (W1000 Base - White)
- > DVW200 (W1000 Secondary Tear Sensor - Angled, Left)
- > DVW404 (W1000 / J704 Apple Trim)



## IR ECOSYSTEM™

The W1000 is part of the exclusive InVue IR Ecosystem™, a storewide single key solution that improves customer service, increases sales and provides high theft protection.

Items shown in this configuration:

- › DVW100-W (W1000 Base - White)
- › DVW201 (W1000 Secondary Tear Sensor - Straight for Fitness Bands)
- › DVW405 (W1000 / J704 Fitness Band Cradle)



Handheld Electronics

Electronic Accessories

Secure Fixtures

Package Protection

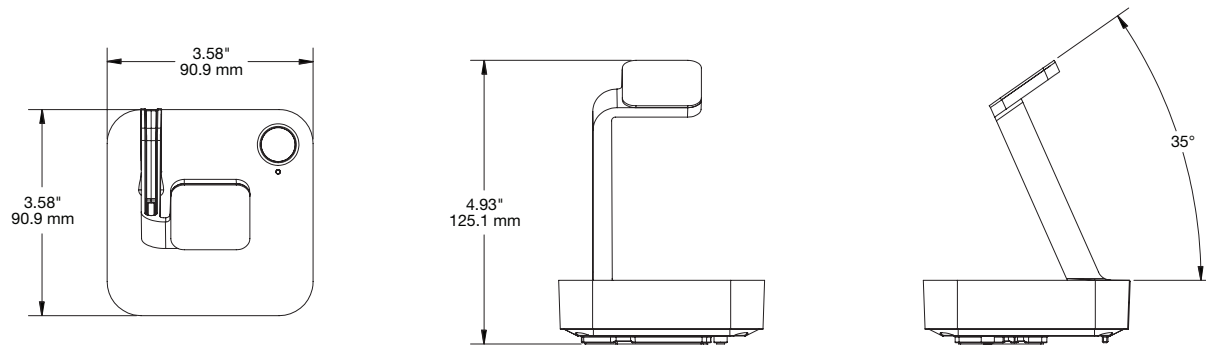
Locked Cabinets

Commercial Solutions

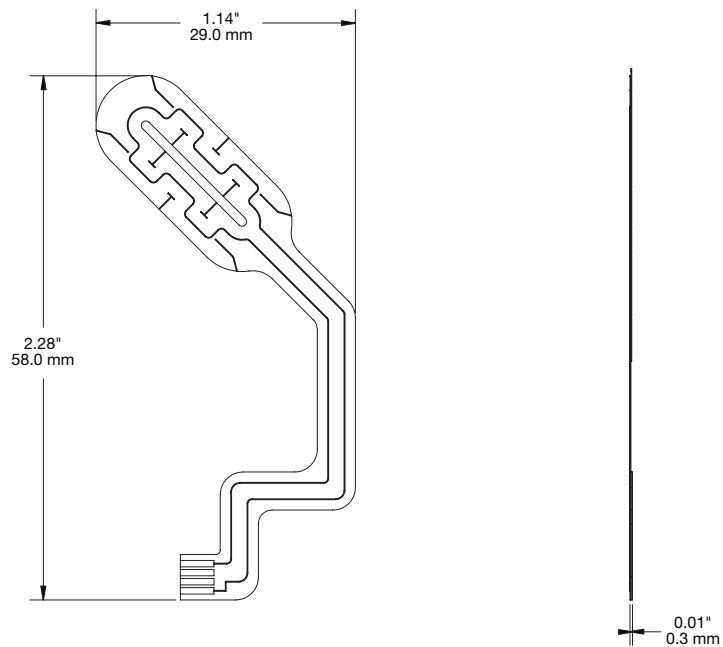


## SPECIFICATIONS

W1000 Base (DVW100):

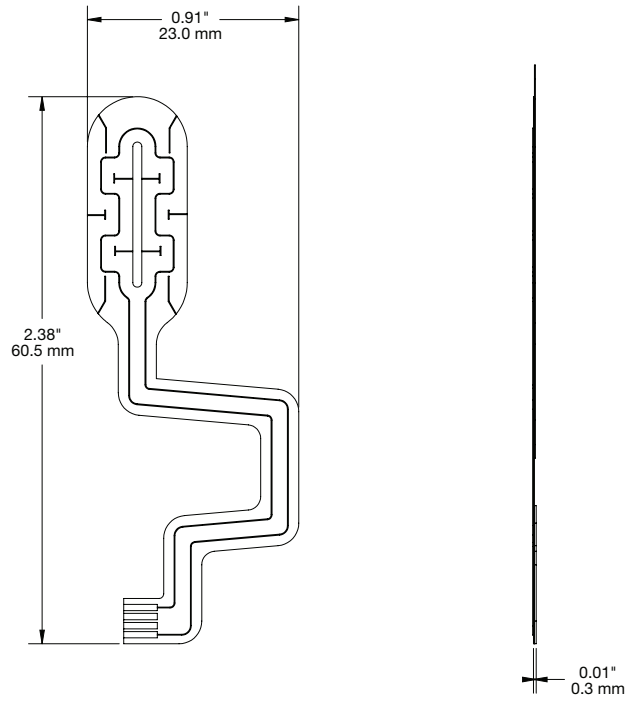


W1000 Secondary Tear Sensor - Angled for Watch (DVW200):



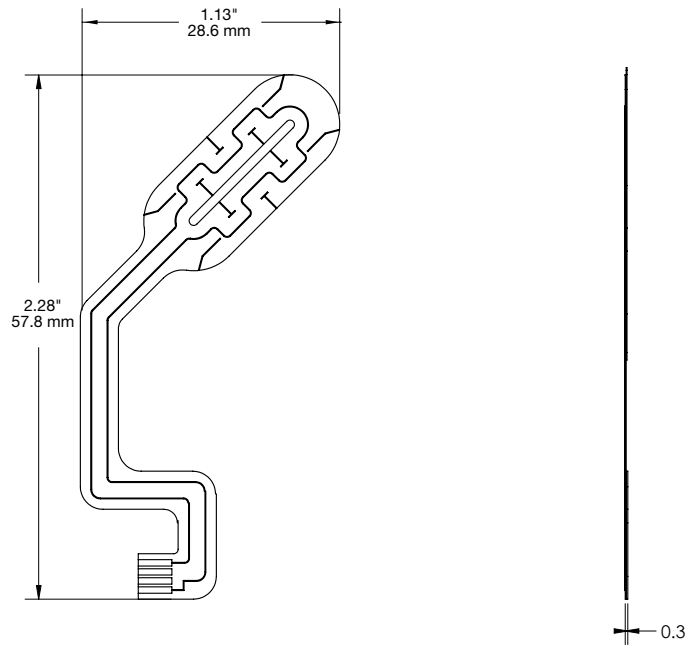
**SPECIFICATIONS**

W1000 Secondary Tear Sensor - Straight for Fitness (DVW201):



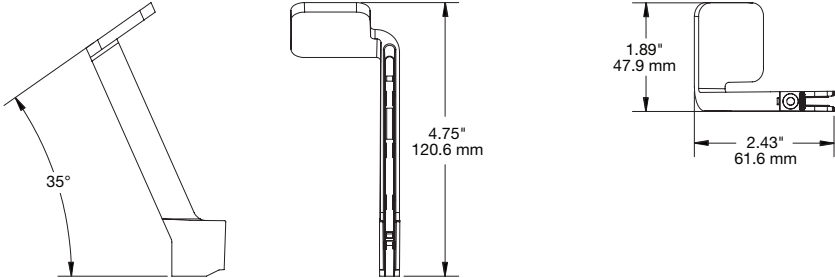
**SPECIFICATIONS**

W1000 Secondary Tear Sensor - Angled, Right (DVW202):

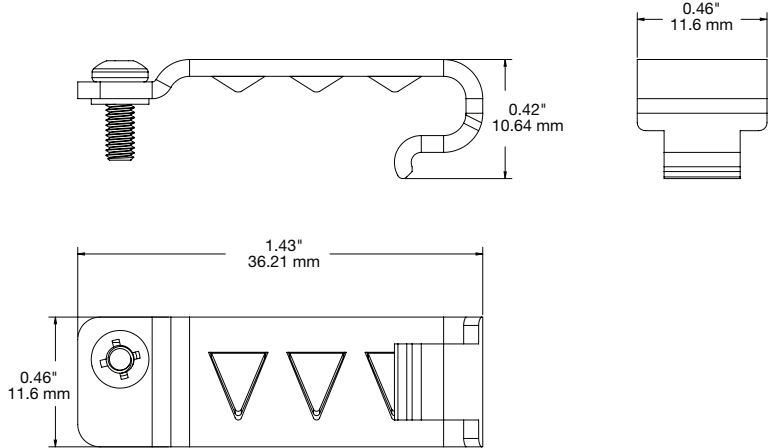


**SPECIFICATIONS**

W1000 Stem - Polished Nickel Color (DVW400):

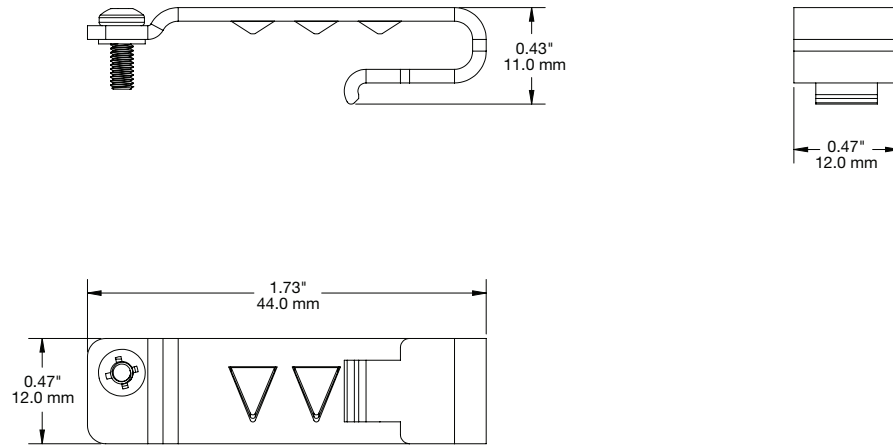


W1000 Band Clamp - Small Width (DVW402):

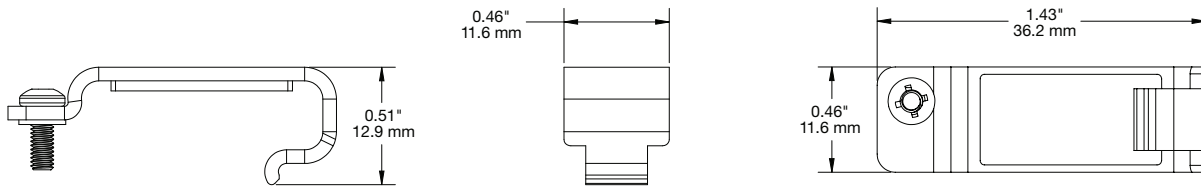


## SPECIFICATIONS

W1000 Band Clamp - Large Width (DVW403):



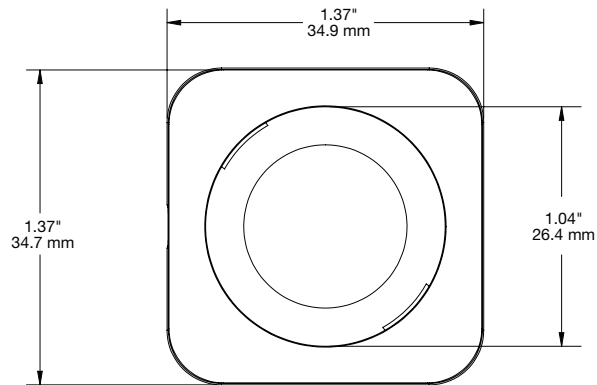
W1000 Replacement Band Clamp - Thick & Large Width (DVW414):



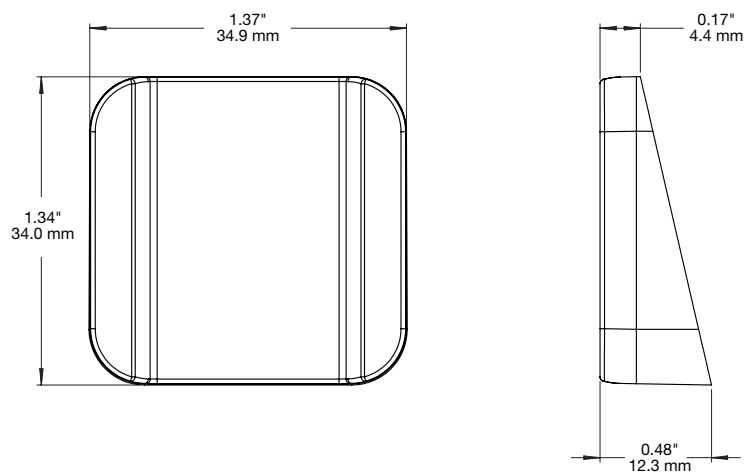


## SPECIFICATIONS

J704 / W1000 - Apple Trim (DVW404):

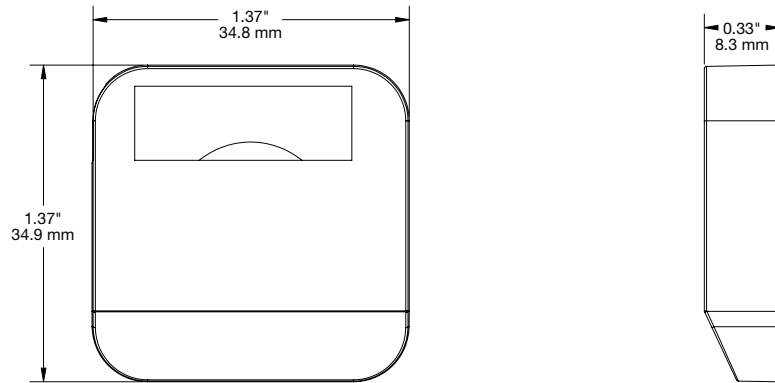


J704 / W1000 - Fitness Band Cradle (DVW405):

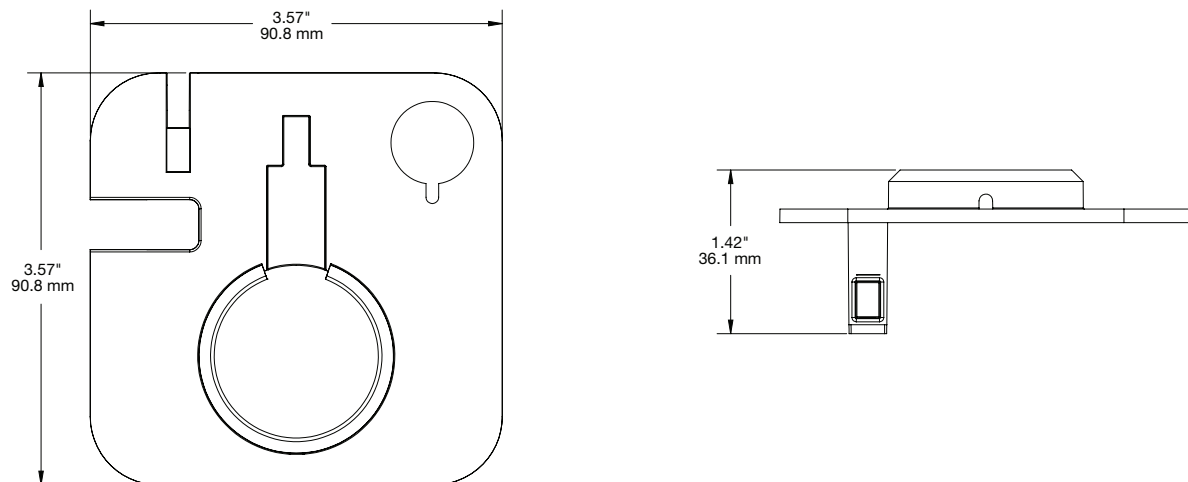


## SPECIFICATIONS

J704 / W1000 - Pebble Trim (DVW406):

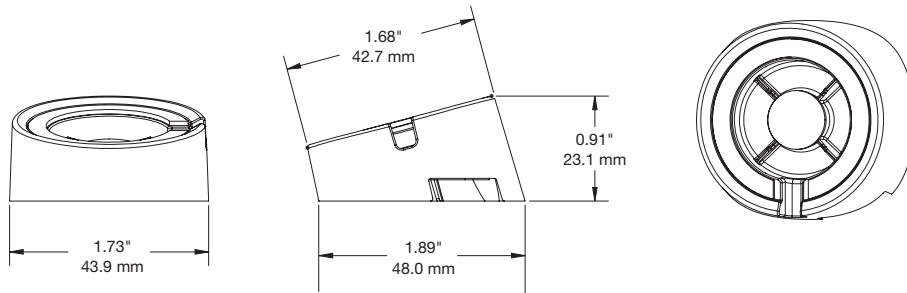


J704 / W1000 - Samsung S2 Trim (DVW409):

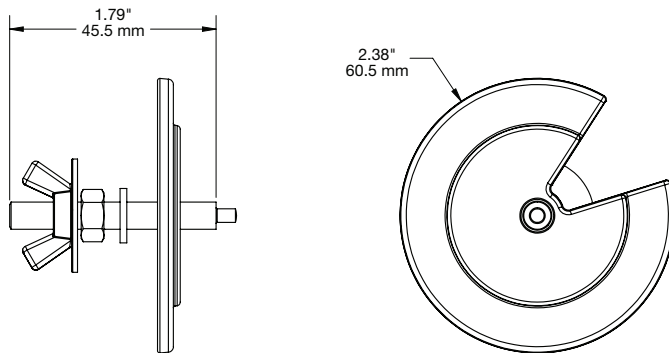


**SPECIFICATIONS**

W1000 / J704 - Fossil Watch Trim (DVW412):

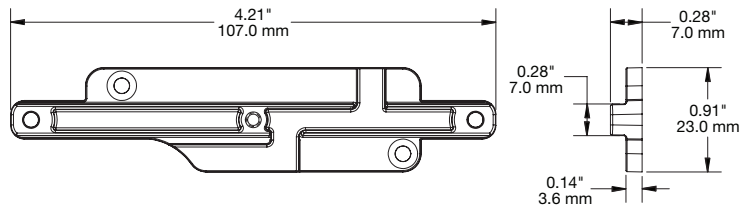


W1000 Screw Mount Kit (DVW410):



## SPECIFICATIONS

W1000 Slot Mount Kit (DVW411):



W1000 / J704 Clear Watch Band Form - 4 Pack (DUW403):



## PRODUCT ORDERING

ORDER CODE	DESCRIPTION	NOTES	CARTON QTY.
DVW100-W	W1000 Base - White	<ul style="list-style-type: none"> <li>› Includes black recoiler sensor and polished nickel stem</li> <li>› Secondary tear sensor required</li> <li>› Replacement adhesives: ADH2111 and ADH2112</li> </ul>	16
DVW200	W1000 Secondary Tear Sensor - Angled, Left	› Use to mount on the left side of watches	100
DVW201	W1000 Secondary Tear Sensor - Straight	› Use with fitness bands	100
DVW202	W1000 Secondary Tear Sensor - Angled, Right	› Use to mount on the right side of watches	100
DVW404	W1000 / J704 Apple Trim	› Replacement adhesive: ADH2113	96
DVW405	W1000 / J704 Fitness Band Cradle	<ul style="list-style-type: none"> <li>› It is recommended that fitness band displays use DVW405 for proper band placement</li> <li>› Replacement adhesive: ADH2113</li> </ul>	96
DVW406	W1000 / J704 Pebble Trim	› Replacement adhesive: ADH2113	96
DVW409-W DVW409-B	W1000 / J704 Samsung S2 Trim - White W1000 / J704 Samsung S2 Trim - Black	› Replacement adhesive: ADH2129	64
DVW412	W1000 / J704 Fossil Watch Trim	› Replacement adhesive: ADH2113	32
DVW400	W1000 Replacement Stem - Polished Nickel Color	› Replacement adhesive: ADH2111	32
DVW401	W1000 Stem Replacement Cover		32
DVW402	W1000 Replacement Band Clamp - Small Width	› For watch and fitness bands up to 25mm wide and up to 4.0mm thick	25
DVW403	W1000 Replacement Band Clamp - Large Width	› For watch and fitness bands up to 35mm wide and up to 4.0mm thick	25
DVW410	W1000 Screw Mount Kit		128
DVW411	W1000 Slot Mount Kit		60
DVW414	W1000 Replacement Band Clamp - Thick & Large Width	<ul style="list-style-type: none"> <li>› For watch and fitness bands up to 25mm wide</li> <li>› For metal bands between 4.0mm and 5.0mm thick and nonmetal bands between 4.0mm and 6.0mm thick</li> </ul>	25
DUW403	W1000 / J704 Clear Watch Band Form - 4 Pack		32



## PRODUCT ORDERING

ORDER CODE	DESCRIPTION	NOTES	CARTON QTY.
ADH2111	W1000 / J704 Stem Replacement Adhesive and Silicone Pads - 8 Pack		20
ADH2112	W1000 / J704 Base Replacement Adhesive - 8 Pack		20
ADH2113	W1000 / J704 Trim/Cradle Replacement Adhesive - 8 Pack		20
ADH2129	W1000 Samsung S2 Trim Replacement Adhesive - 12 Pack		20

[invue.com](http://invue.com)

©2016 InVue Security Products. No endorsement of InVue products has been made by any of the manufacturers of the products shown. Product is sold pursuant to InVue's warranty which can be found at [www.invue.com/warranty](http://www.invue.com/warranty).

**THE AMERICAS** 704.752.6513 • 888.55.INVUE

**EUROPE, MIDDLE EAST & AFRICA** +31.23.8900150

**ASIA PACIFIC** +852.3127.6811

