

L430

Worry-free security.

Self-latching protection for locked-cabinet merchandise.



The L430 Smart Lock provides worry-free, self-latching protection for locked cabinet merchandise. The L430 is uniquely designed to operate without a battery or power source, allowing it to be seamlessly integrated into new or

existing furniture. Its inconspicuous appearance helps to streamline any design. L430 solves the problems of traditional mechanical locks, such as employees leaving keys in locks or breaking keys off in locks.



FEATURES AND BENEFITS

- 1 Self-latching design lets you simply close a cabinet and know it is locked
- 2 Can be fully embedded for seamless integration into new and existing furniture
- 3 Unlike other electronic locks, there is no need for batteries or sourced power
- 4 Fully protected latch provides pick resistance
 - › The IR2 Key provides a unique store code and timeout feature for added security
 - › Part of the InVue IR Ecosystem™, the one key solution to storewide security



IR ECOSYSTEM™

The L430 is part of the exclusive InVue IR Ecosystem™, a storewide single key solution that improves customer service, increases sales and provides high theft protection.

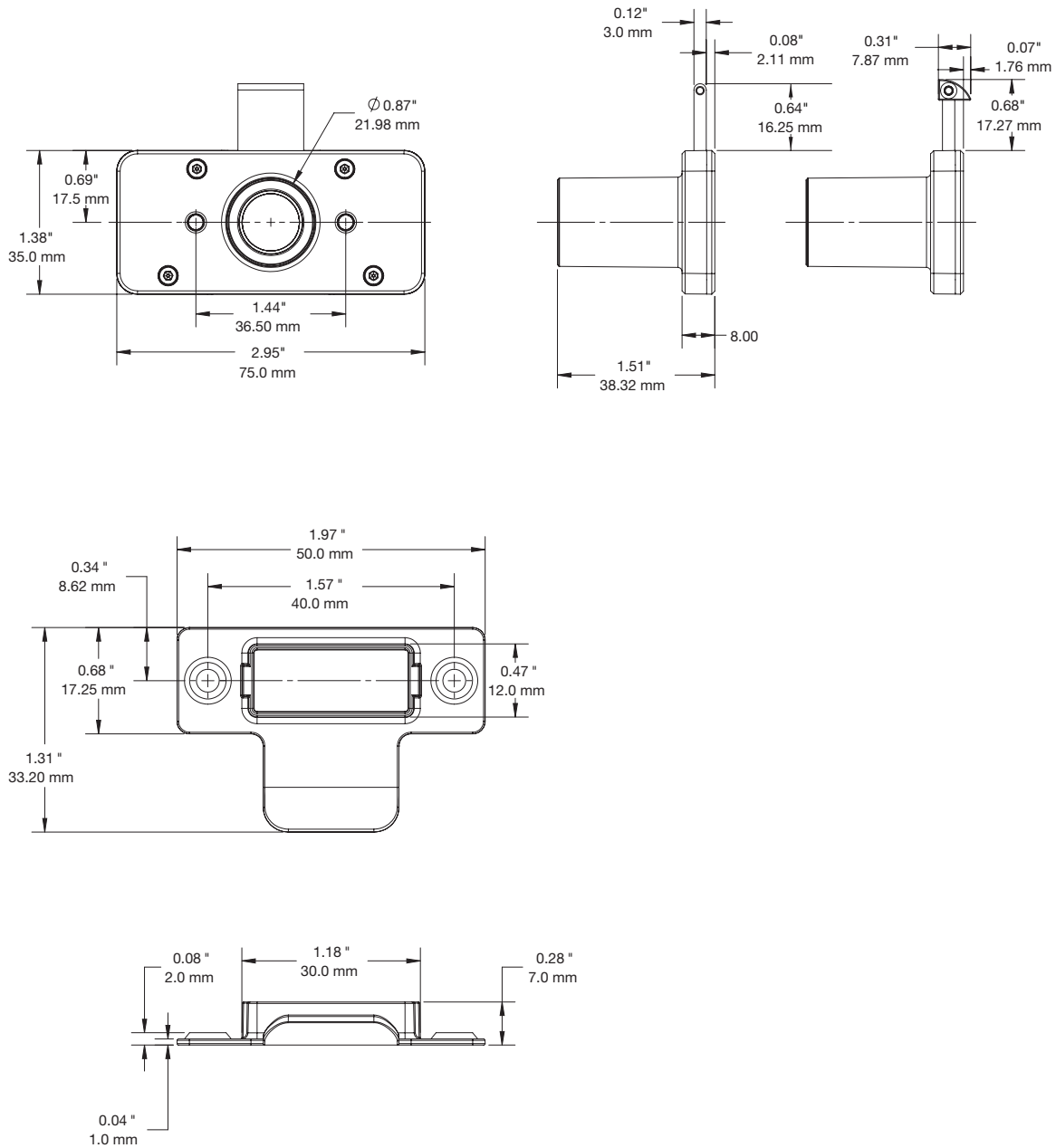


- Handheld Electronics
- Electronic Accessories
- Secure Fixtures
- Package Protection
- Locked Cabinets
- Commercial Solutions



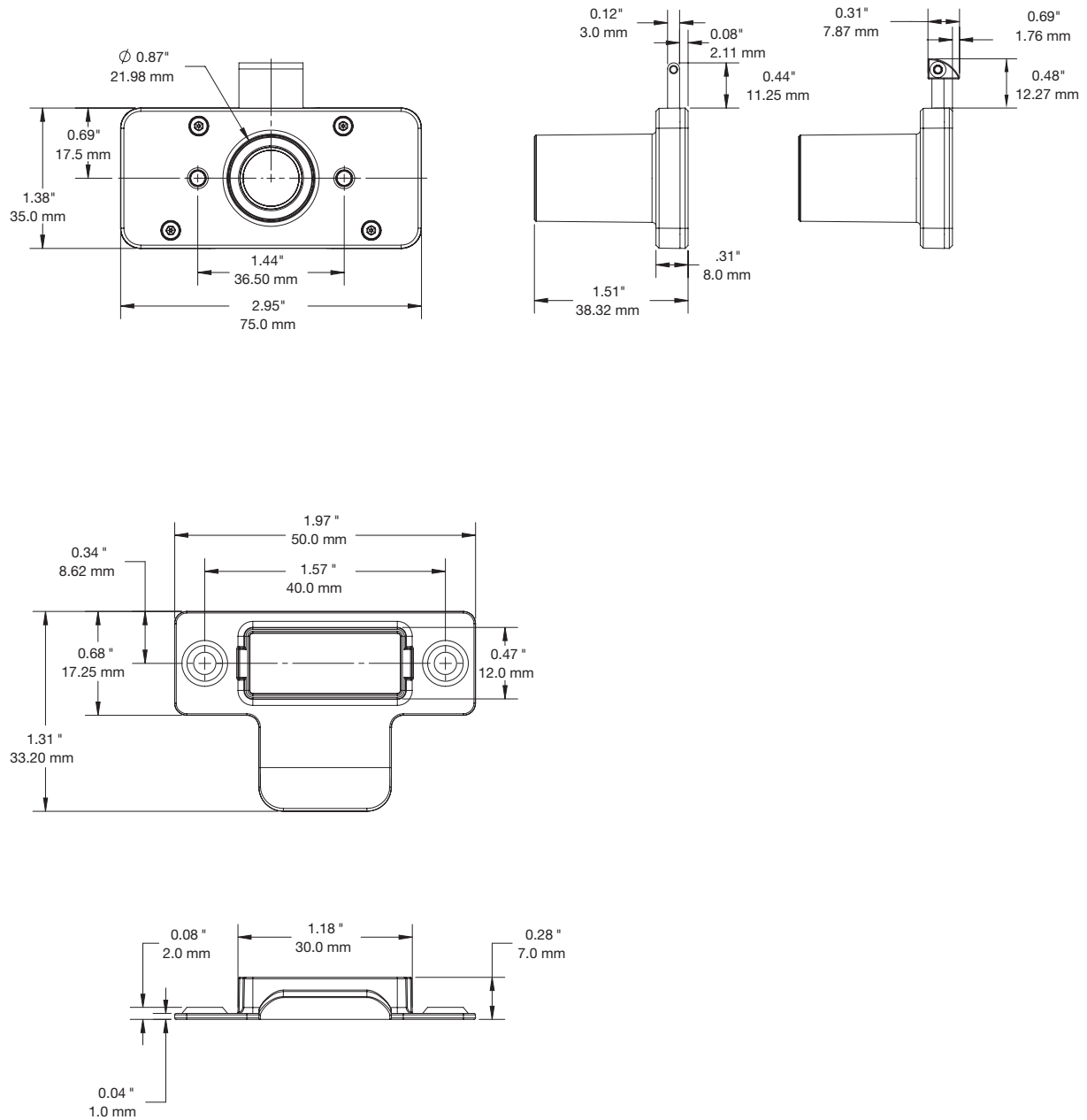
SPECIFICATIONS

L430, Long Latch (PL701):



SPECIFICATIONS

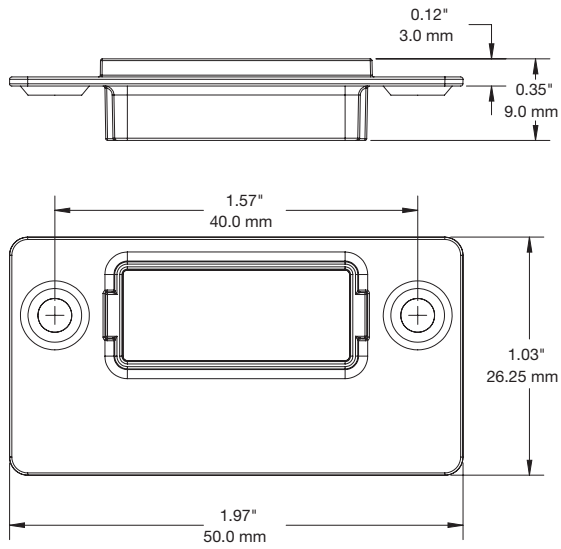
L430, Short Latch (PL702):



SPECIFICATIONS

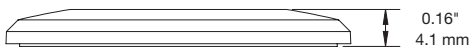
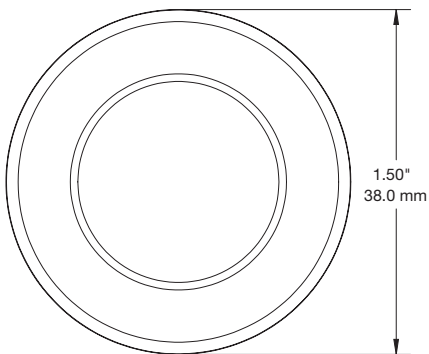
Flat Strike Plate for L430 (PL720-2):

(This optional strike plate is used for installations that require there to be no visible latch ramp when cabinet or drawer is closed.)



Trim Ring for L430 (PL741):

(This optional cosmetic ring is used to conceal any gap that may exist when replacing a 28mm diameter lock with the L430, which has a smaller diameter.)

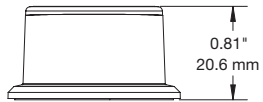
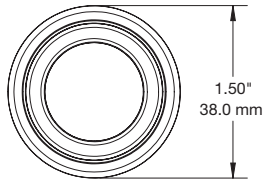


L430

SPECIFICATIONS

Bumper for L430 (PL742):

(This optional part provides protection to both the L430 and furniture in cases where the cabinet may swing open and make contact with another surface. The bumper features a rubber tip, and a chrome finish that matches the look of the L430 Smart Lock.)



PRODUCT ORDERING

ORDER CODE	DESCRIPTION	CARTON QTY.
PL701	L430 – Long Latch	25
PL702	L430 – Short Latch	25
PL720-2	Flat Strike Plate for L430 (5 pack)	25
PL741	Trim Ring for L430 (5 pack)	25
PL742	Bumper for L430 (5 pack)	25
PL743	Adapter Kit for PL702 (drawing not shown)	25

©2016 InVue Security Products. No endorsement of InVue products has been made by any of the manufacturers of the products shown. Product is sold pursuant to InVue's warranty which can be found at www.invue.com/warranty.

THE AMERICAS 704.752.6513 • 888.55.INVUE

EUROPE, MIDDLE EAST & AFRICA +31.23.8900150

ASIA PACIFIC +852.3127.6811

